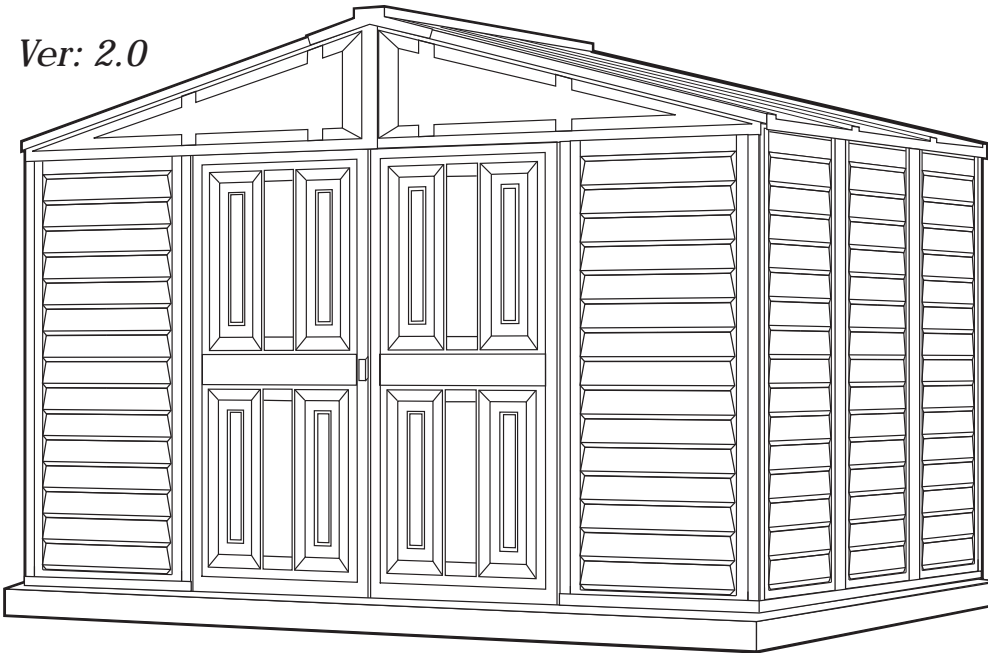


Storage Shed

OWNER'S MANUAL / Instructions for Assembly Size 10'x 8'

Patent #416.091

Ver: 2.0



**Customer
Service Hotline
(800) 483-4674
www.uspolymersinc.com**

Your Total Solution To maintenance Free Storage Sheds.

- All Weather Durable PVC
- Won't Dent, Rust, Rot or Mildew
- Tall Walk In Shed
- Never Needs Painting
- 61" Wide Double Doors
- Easy Assembly
- High Wind Tested
- Snow Load Tested 20lbs/sq. foot
- Pad Lock Ready (Lock not included)
- Wooden or Cement Foundation Needed

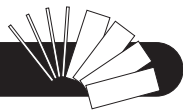
Available Kits

- Foundation Kit Available
- Modular 2.5' Extension Kits Available
- 10'x8' Window Kits Available

Requires two people and takes about
4-5 hours for Installation.

Call us for any missing or damaged parts.
Do not return to the store.

Parts List

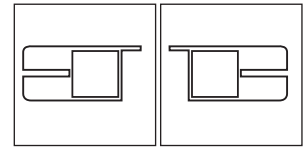


Note: Check all parts prior to installation.

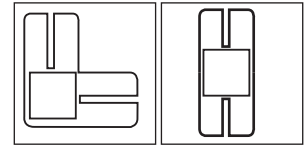
ACCESSORIES

CODE	DESCRIPTION	QTY
B1LA	FRONT 'U' CHANNEL LEFT	1
B1RA	FRONT 'U' CHANNEL RIGHT	1
B21	SIDE 'U' CHANNEL	2
B22	SIDE 'U' CHANNEL	2
B3LA	BACK 'U' CHANNEL LEFT	1
B3RA	BACK 'U' CHANNEL RIGHT	1
CMA	MIDDLE COLUMN	7
CCA	CORNER COLUMN	4
CDLA	LEFT DOOR COLUMN	1
CDRA	RIGHT DOOR COLUMN	1
CB1A	FRONT CENTER BAND	2
CB2A	SIDE CENTER BAND SHORT	2
CB3XA	CENTER BAND	4
CB4A	FRONT CROSS CENTER BAND	2
RS1A	RS1 ROOF STRUCTURE	4
RS2A	RS2 ROOF STRUCTURE	4
RS3LA	RS3 ROOF STRUCTURE LONG	2
RS3XA	RS3 ROOF STRUCTURE SHORT	2
RS4XA	RS4 ROOF STRUCTURE	4
RS5A	RS5 ROOF STRUCTURE	4
RS6XA	RS6 ROOF STRUCTURE	2
RS7XA	RS7 ROOF STRUCTURE	2
RS8A	RS8 ROOF STRUCTURE SUPP LONG	4
RS9A	RS9 ROOF STRUCTURE SUPP SHORT	4
MJ	MIDDLE JOINING SUPPORT	7
RS10A	RS10 ROOF STRUCTURE SUPPORT	2
RS11A	RS11 ROOF STRUCTURE SUPPORT SHORT	2
RS12A	RS12 ROOF STRUCTURE SUPPORT LONG	2
RS14A	SAGGING SUPPORT	12
DSH	DOOR STOPPER HORIZONTAL	1
SP^	SIDE PANEL	12
FPL	FACIA PANEL LEFT	2
FPR	FACIA PANEL RIGHT	2
RP^	ROOF PANEL	6
RRS	RIDGE COVER	3
DL	LEFT DOOR	1
DR	RIGHT DOOR	1

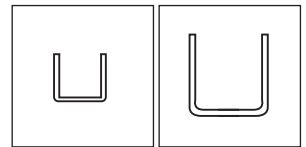
CODE	DESCRIPTION	QTY
FDCL	DOOR COLUMN FITTING LEFT	1
FDCR	DOOR COLUMN FITTING RIGHT	1
FCC	CORNER COLUMN FITTING	4
FMC	MIDDLE COLUMN FITTING	7
FCB	CENTER BAND FITTING	4
RJ	90 DEGREE JOINT	4
PPG	ROOF PLUG W/WASHER	80
PIN	ROOF PIN	80
EPS	END PLUG SQUARE	4
CBC	CENTER BAND COVER	3
S1	DIA. 4.2 x 16mm. (5/32" x 5/8") SHEET METAL SCREW	253
S2	DIA. 4.2 x 32mm. (5/32" x 1 1/4") SHEET METAL SCREW	8
S7	DIA. 4.2 x 10mm. (5/32" x 3/8") SHEET METAL SCREW	16



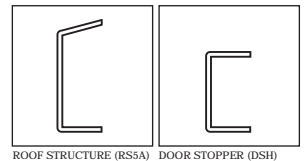
LEFT DOOR COLUMN (CDLA) RIGHT DOOR COLUMN (CDRA)



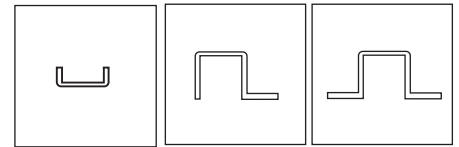
CORNER COLUMNS (CCA) MIDDLE COLUMNS (CMA)



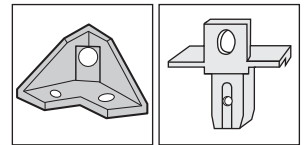
U-Channels (B1LA) (B1RA) (B21) (B22) (B3LA) (B3RA)



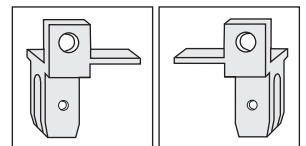
ROOF STRUCTURE (RSSA) DOOR STOPPER (DSH)



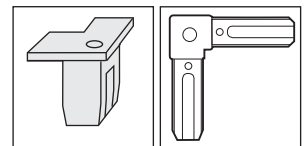
SAGGING SUPPORT (RS14A) ROOF SUPPORT (RS2A) (RS10A) ROOF SUPPORT (RS4XA) (RS11A) (RS12A)



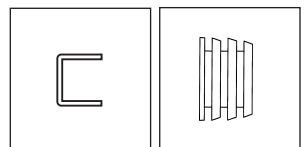
CENTER BAND FITTING (FCB) MIDDLE COLUMN FITTING (FMC)



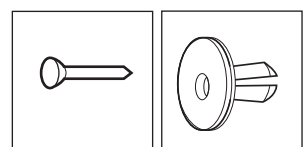
DOOR COLUMN FITTING (FDCL) DOOR COLUMN FITTING (FDCR)



CORNER COLUMN FITTING (FCC) PVC 90 DEGREE JOINT (RJ)



CENTER BAND COVER (CBC) END PLUG SQUARE (EPS)

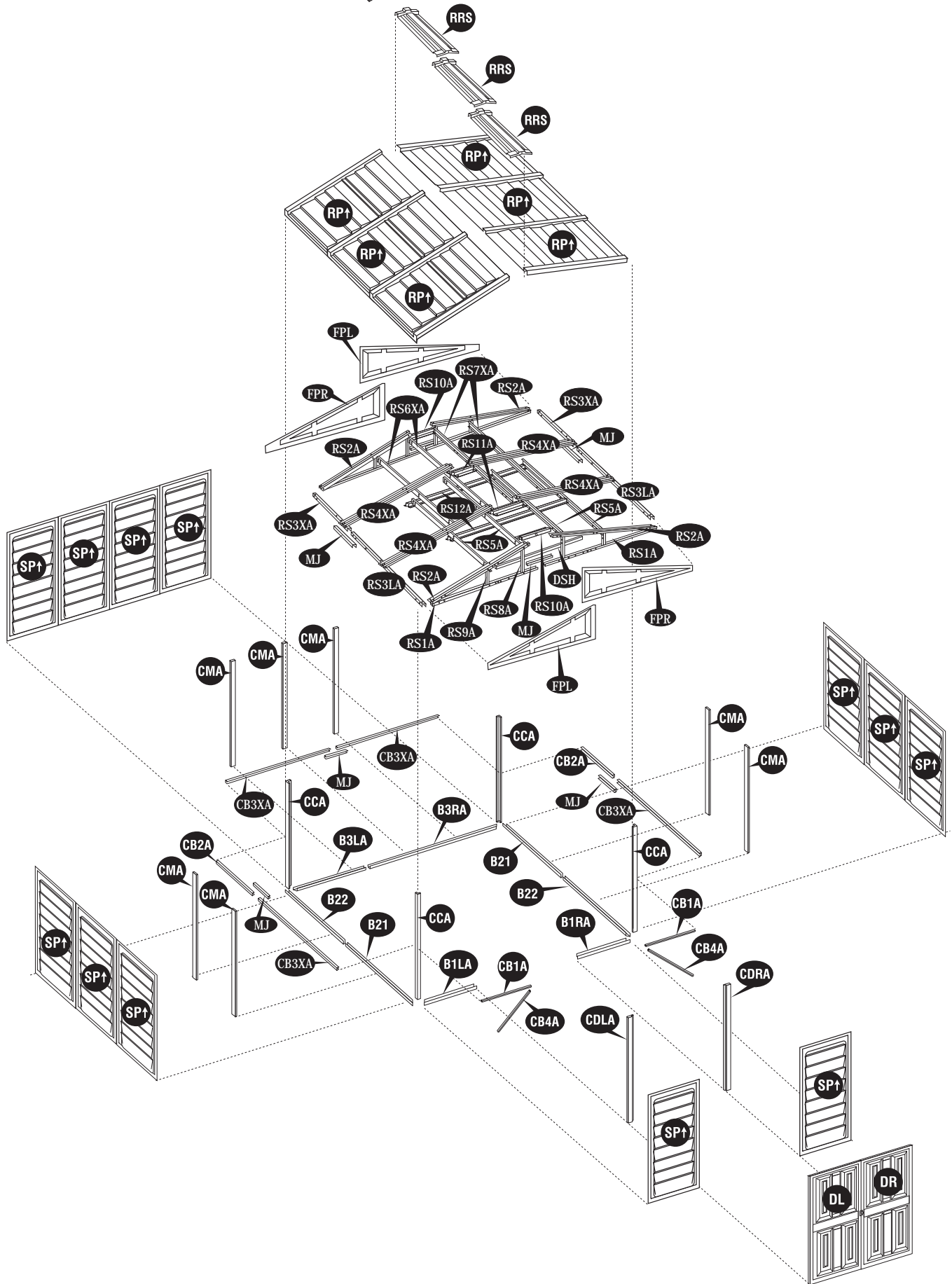
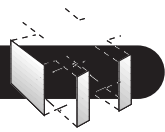


ROOF PIN (PIN) ROOF PLUG WITH WASHER (PPG)

Tools You Will Need

- Cordless Drill - Philips Head
- Hammer or Rubber mallet
- Carpenters Square
- 8' Step Ladder
- Adjustable pliers
- Level - 3ft.
- Tape Measure
- Caulk Gun
- Waterproof Clear Silicon
- Sealant
- Hand Gloves

Exploded View



Duramax Storage Shed Limited Fifteen Year Warranty

U.S. Polymer Inc. will send a replacement part free of charge, in the event of material defects and or workmanship for a period of fifteen years from the date of purchase.

This warranty is extended only to the original purchaser. A purchase receipt or other proof of date of original purchase will be required before warranty service is rendered. In no event shall we pay the cost of flooring, labor, installation or any other costs related thereto.

This warranty only covers failures due to defects in material or workmanship which occurs during normal use and does not extend to color change arising due to normal weathering or to damage resulting from misuse or neglect, commercial use, failure to follow assembly instructions and the owner's manual (including proper anchoring of the shed), painting, forces of nature and other causes which is beyond our control.

Claims under this warranty must be made within the warranty period by calling 1-800-483-4674 or mail in a dated sales slip and clear photograph of the part to:

U.S. Polymers, Inc.
6915 Slauson Avenue
Commerce, CA 90040

We reserve the right to discontinue or change components. If a component has been discontinued or is not available, U.S. Polymers, Inc. reserves the right to substitute a component of equal quality as may be compatible.

Limits and Exclusions

There are no express warranties except as listed above. The warrantor shall not be liable for incidental or consequential damages resulting from the use of this product, or arising out of any breach of this warranty. All express warranties are limited to the warranty period set forth above. Some states do not allow the exclusion or limitation on how long an implied warranty lasts, so the above limitations may not apply to you.

This warranty gives you specific legal rights and you may also have other rights which vary from state to state or country to country.

A. Foundation & Base Frame

Note: It is important that these instructions are followed step by step.

DuraMax must be installed on a level wooden platform or a level concrete foundation.

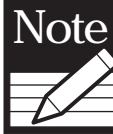


Wooden platform is extra and is not included. Don't install under windy conditions.

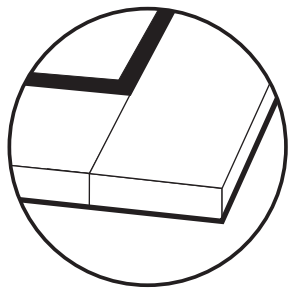
Parts needed:

- (1) Front U channel left (B1LA)
- (1) Front U channel right (B1RA)
- (1) Back U channel left (B3LA)
- (1) Back U channel right (B3RA)
- (2) Side U channel (B21)
- (2) Side U channel (B22)
- (32) Dia. 4.2 x 16mm Screws (S1)

1. Use pressure treated 2" x 4" (5x10cm) to build a foundation structure that has an outside dimension of 96" x 127" (2438.4mm x 3225.8mm).



Lay 2" x 4" (5x10cm) Flat



2. Using exterior grade CDX 3/4" (19mm) plywood, cut and fit together the sheets to form solid plywood floor as shown. Foundation must be square and level.

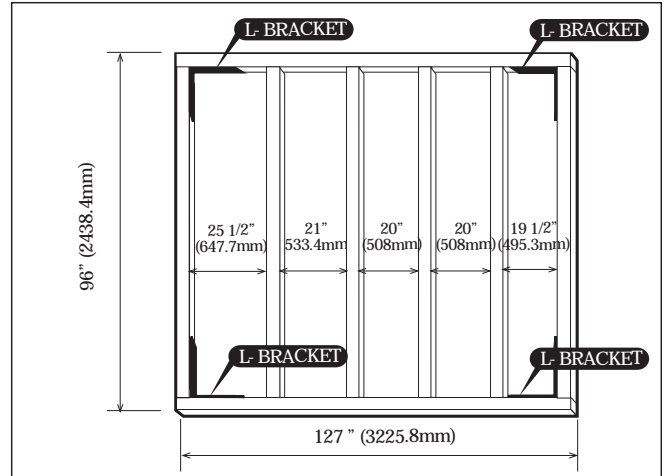
3. Start with U-Channel bases (B3LA) & (B3RA) to insure a quick and accurate layout. Position all U channel bases on wood foundation. It is critical that you allow 61 1/4" (1556mm) between front bases (B1LA) and (B1RA) for door placement. Measure in all directions as shown in fig.1. Make sure the U-channel assembly is a perfect square.

Wooden Platform (Not Included)

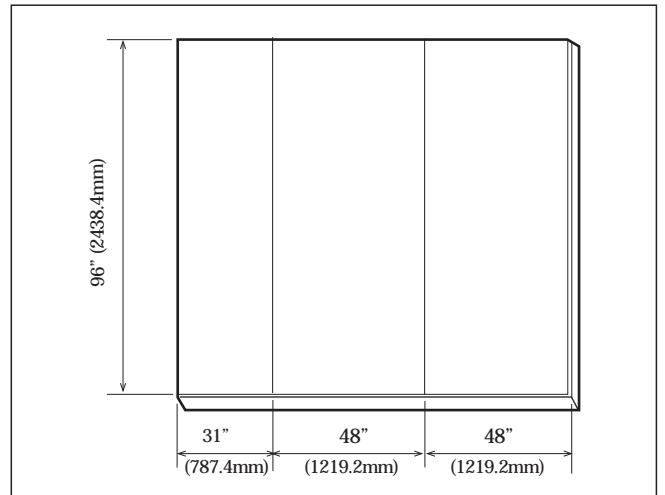
The following are a list of lumber and sizes you will need.

- | | |
|--|--|
| Pressure Treated-Wood Studs: | Exterior Grade (CDX): |
| | 3/4 (19mm) plywood |
| 6ea 2" x 4" x 89" (50 x 88.9x 2260.6mm) | 2ea 3/4" x 48" x 96" (19 x 1219.2x 2438.4mm) |
| 2ea 2" x 4" x 127" (50 x 88.9x 3225.8mm) | 1ea 3/4" x 31" x 96" (19x 787.4x 2438.4mm) |

L-Brackets: 4ea



Foundation Structure



Plywood Floor

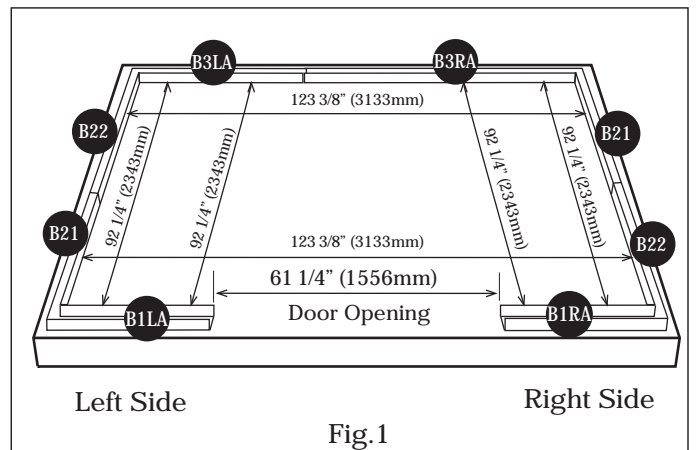


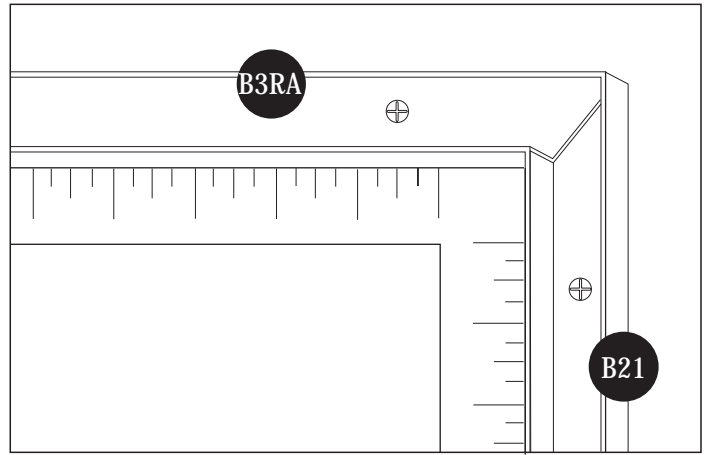
Fig.1

U-Channel Layout

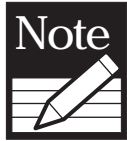
4. Using a carpenters square, line up all corners. Secure base to wood foundation using (S1) screws.

Concrete foundation

4b. Shed or shed foundation should be placed on concrete footing by use of anchor bolt and nut. Using a carpenters square, line up corners. Align U-Channel base, mark the concrete through the holes in the base and drill concrete with 1/2" (dia. 12.5mm) concrete bit to accept anchor bolts to a 1 3/4" (44mm) depth. Replace base and secure with 1/4" x 1 1/2" (M6 x 40mm) anchor bolts. (not provided)



B. Walls & Columns



All panels are clearly marked and care should be taken to use the correct one.

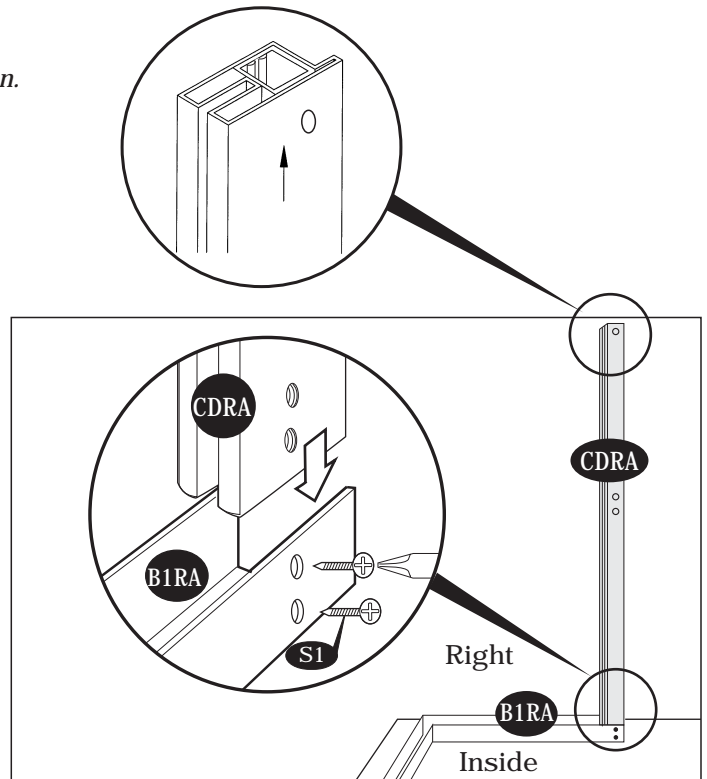
Parts Needed:

- | | |
|-----------------------------|---------|
| (4) Corner Column | (CCA) |
| (1) Left Door Column | (CDLA) |
| (1) Right Door Column | (CDRA) |
| (7) Middle Column | (CMA) |
| (12) Side Panels | (SP↑) |
| (2) Front Center Band | (CB1A) |
| (2) Side Center Band Short | (CB2A) |
| (4) Center Band | (CB3XA) |
| (3) Middle Joining Support | (MJ) |
| (2) Front Cross Center Band | (CB4A) |
| (4) Center Band Fitting | (FCB) |
| (3) Center Band Cover | (CBC) |



Layout all required parts near shed foundation.

1. Slide door column (CDRA) into the U-Channel Base (B1RA) on the right side of the door. Line up the pre-drilled holes on (CDRA) Column with pre-drilled holes on U-Channel Base. Secure with two (S1) screws from inside. (See blowup detail)



2. Insert the side panel (SP↑) into the groove of column (CDRA). Start at the bottom of the panel at an angle then push into place.

Note

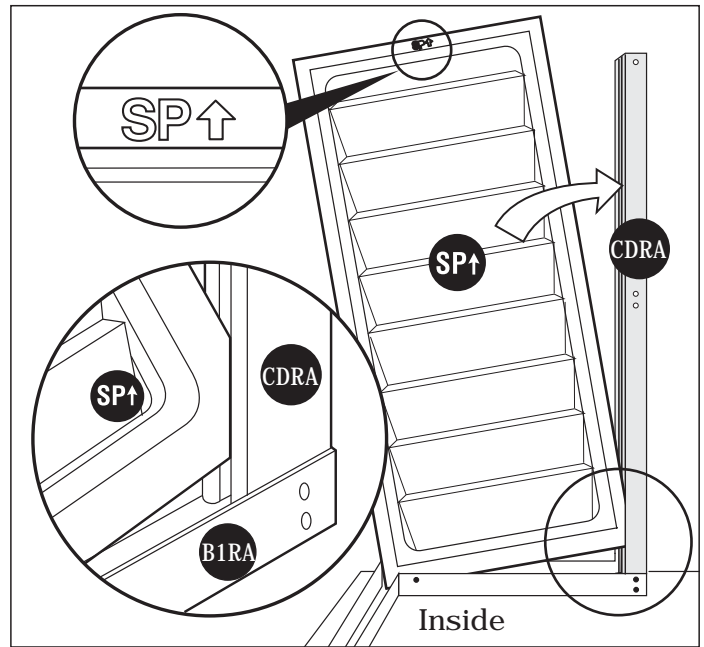
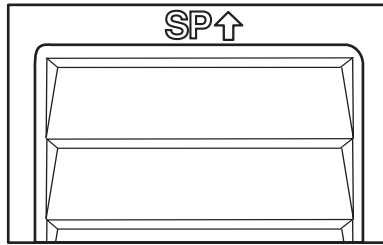


Always place panels into frame at an angle on top and slide in sideways and downward for easy insertion.

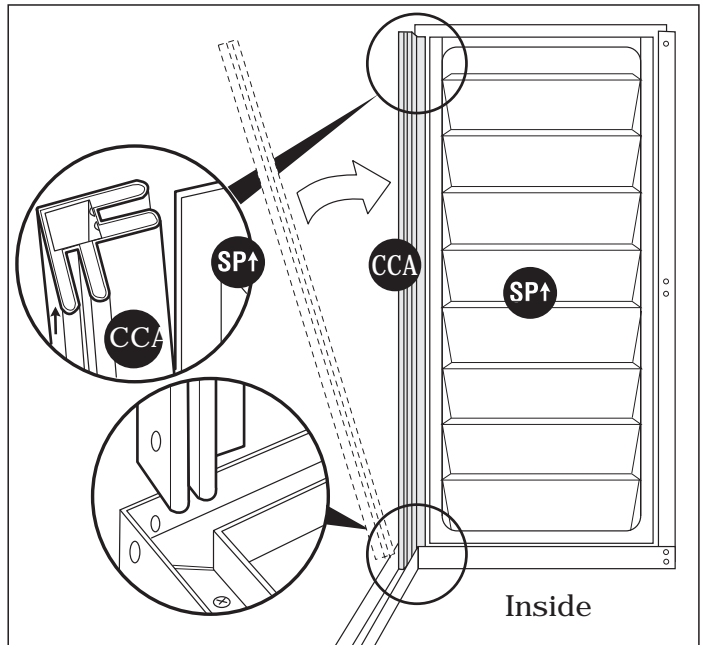
Note



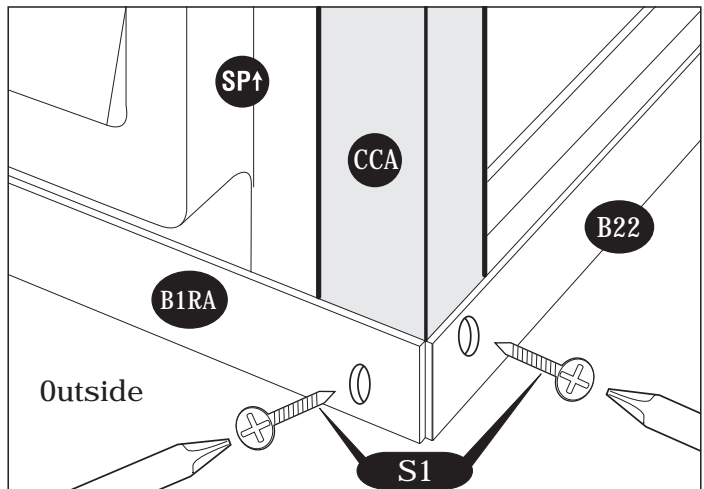
Make sure panels are right side up with panel shingles facing down. Check the stamped label on top of all panels.



3. Slide corner column (CCA) into side panel (SP↑) pushing the column to the side panel.



4. Working outside use (S1) screws to secure column to bases (B1RA) and (B22).



5. To stabilize the front panel attach center band (CB1A). Start with center band fitting (FCB), fix to corner column (CCA) with (S2) screws. See figures (fig.1) (fig.2) and (fig.3).

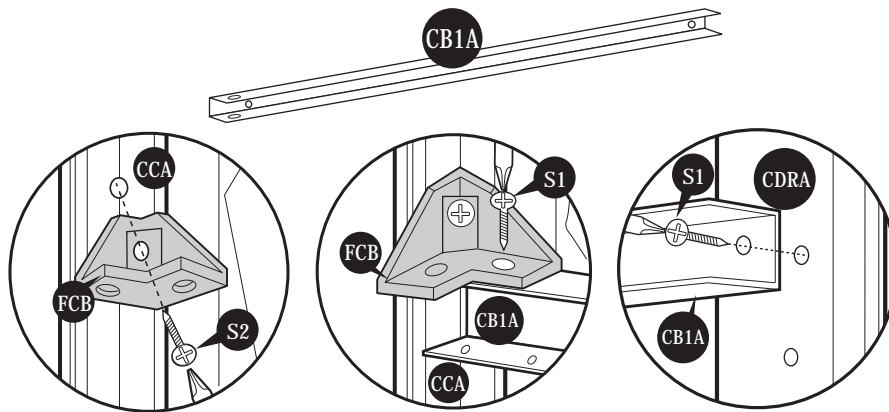
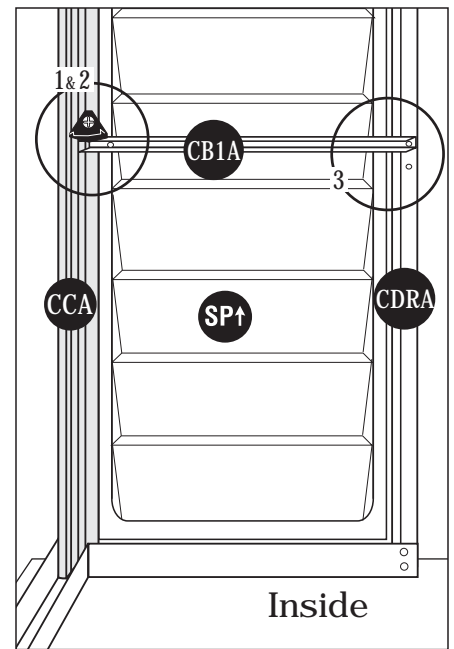


Fig.1: Use (S2) screws. Fix (FCB) fitting to (CCA). Leave it loose.

Fig.2: Use (S1) screws. Fix (CB1A) to fitting (FCB)

Fig.3: Use (S1) screw. Fix (CB1A) to (CDRA)



6. Attach center band (CB4A) to door column (CDRA) and base channel (B1RA).

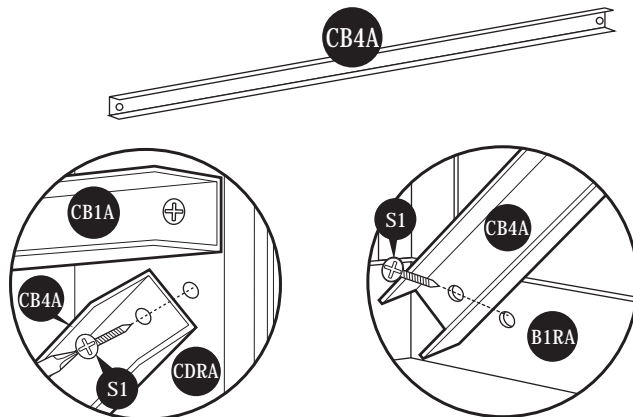


Fig.1: Use (S1) screw. Fix (CB4A) to (CDRA)

Fig.2: Use (S1) screw. Fix (CB4A) to base (B1RA)

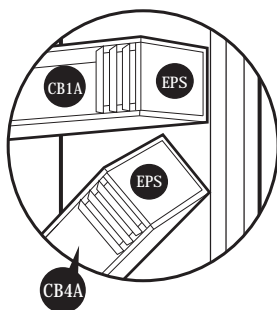
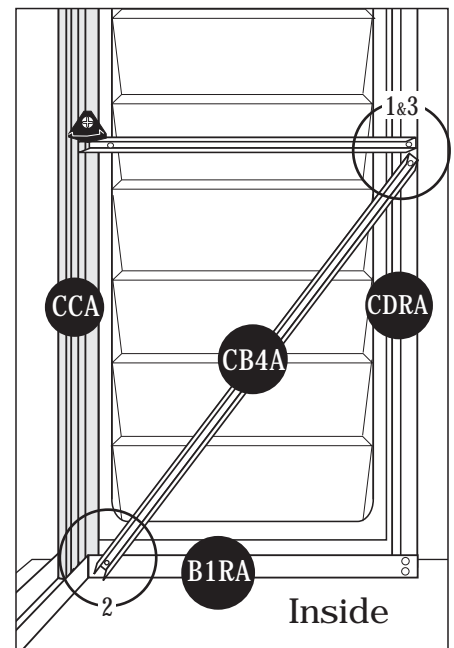
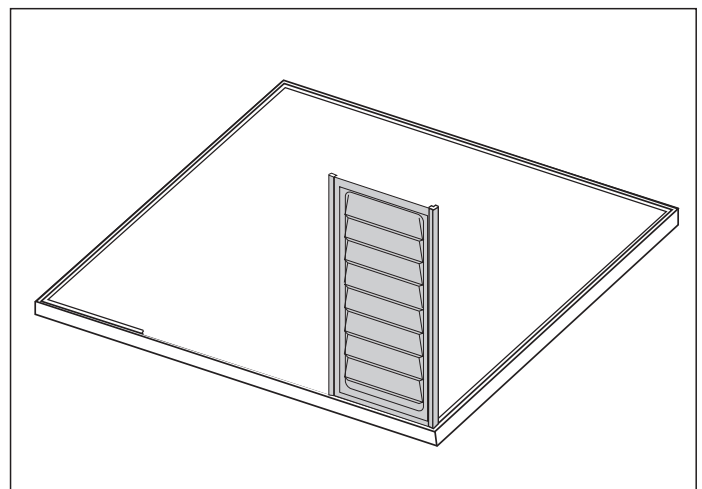
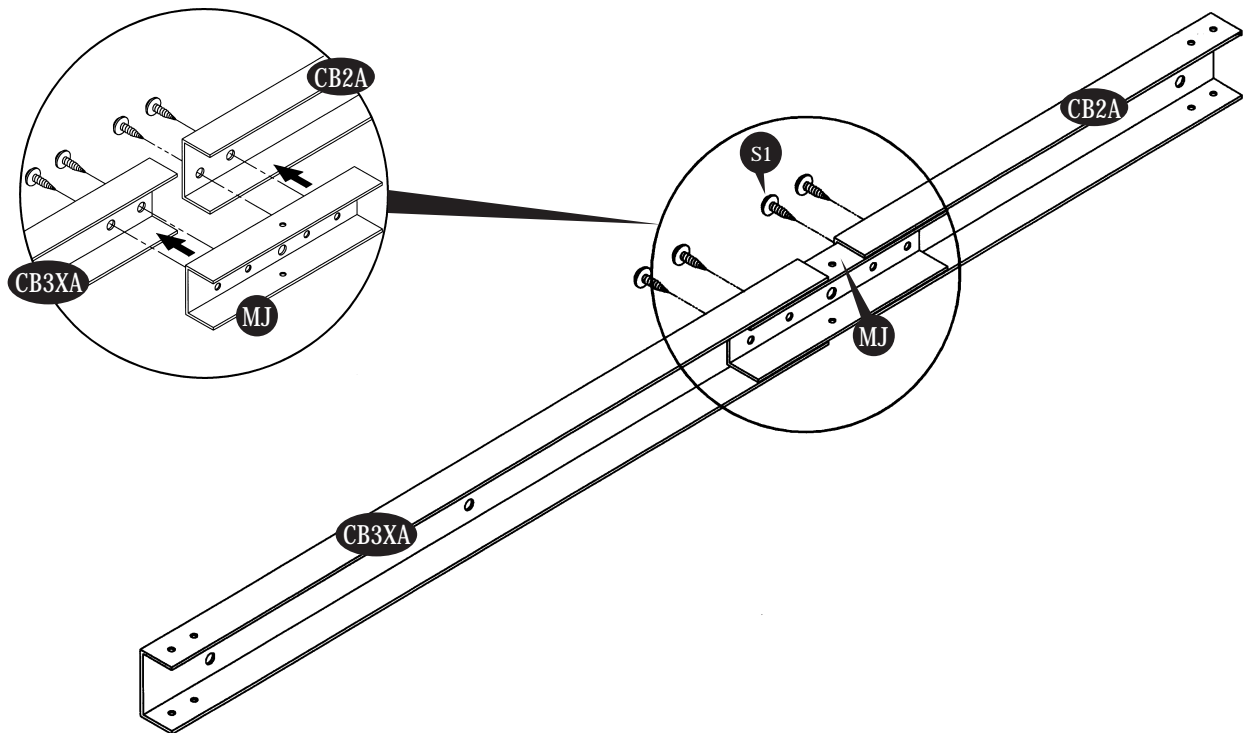


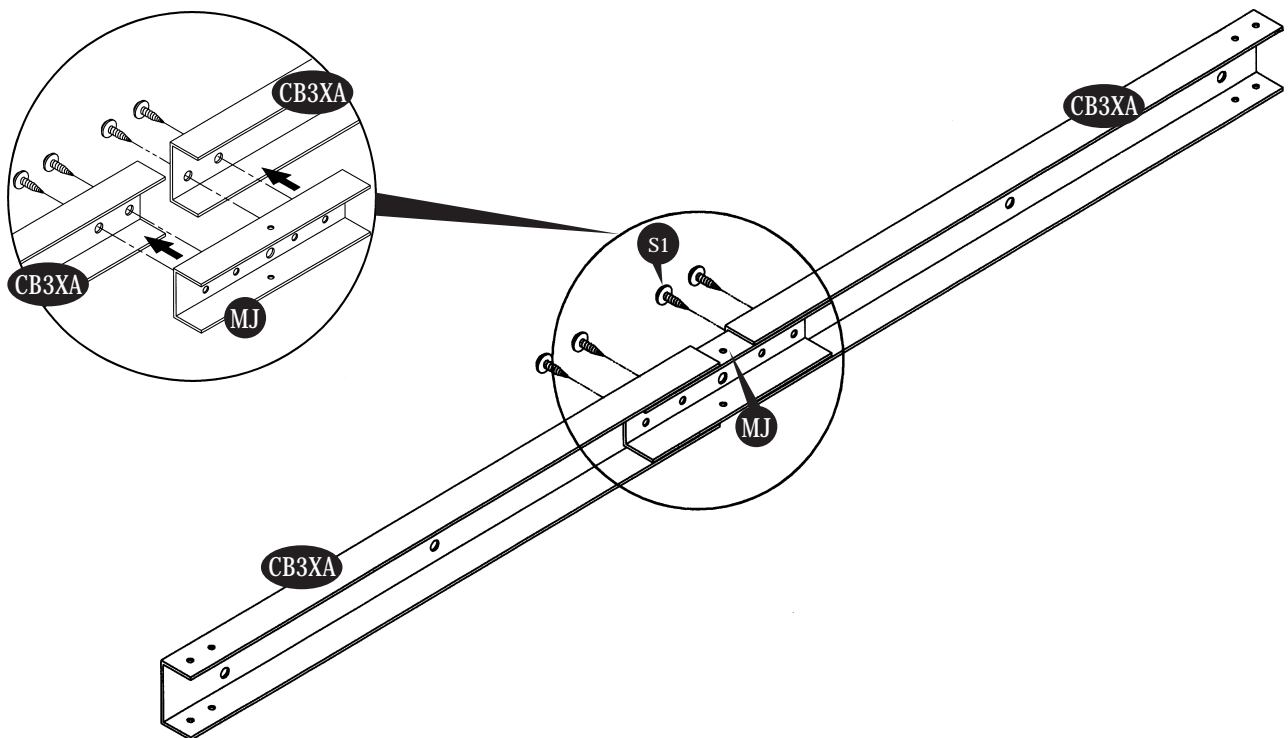
Fig.3: Fix the (EPS) at the end of (CB1A) & (CB4A).



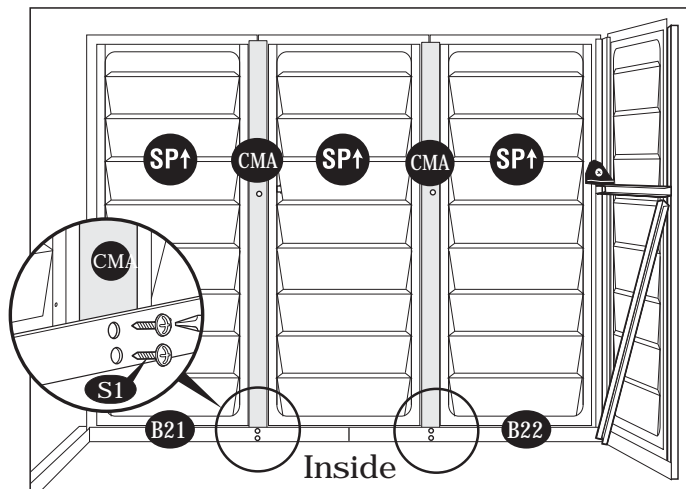
7. Assemble the center bands (CB2A) & (CB3XA) with middle joining support (MJ). use (S1) screws. See fig. Make 2 sets.



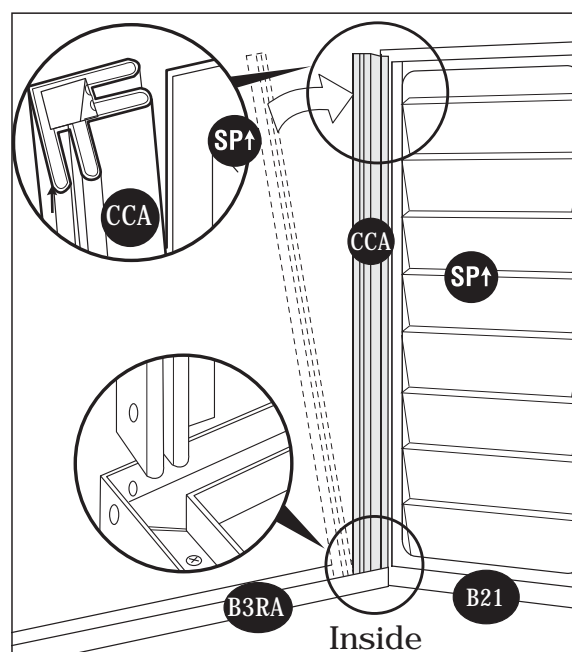
8. Assemble the two center bands (CB3XA) with middle joining support (MJ). use (S1) screws. See fig.



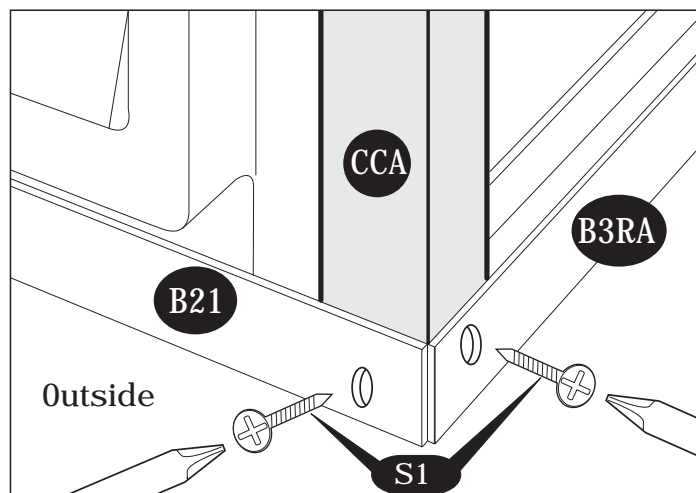
9. Working from inside Continue connecting the 3 side panels (SP↑) and columns (CMA) in sequence along (B22 & B21) base. Use (S1) screws to fix columns to base.



10. Slide corner column (CCA) into side panel (SP↑) pushing the column to the side panel.



11. Working outside Use (S1) screws to secure column to bases (B21) and (B3RA).



12. Stabilize the side panels with center bands (CB3XA) & (CB2A). Fix (FCB) fitting to corner column (CCA).
See Fig.1
Follow the Fig. 2, 3, 4, 5 & 6

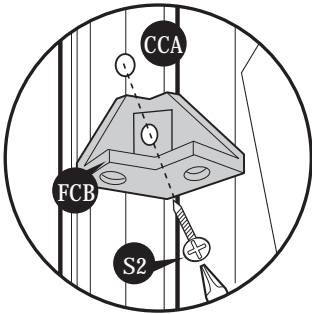
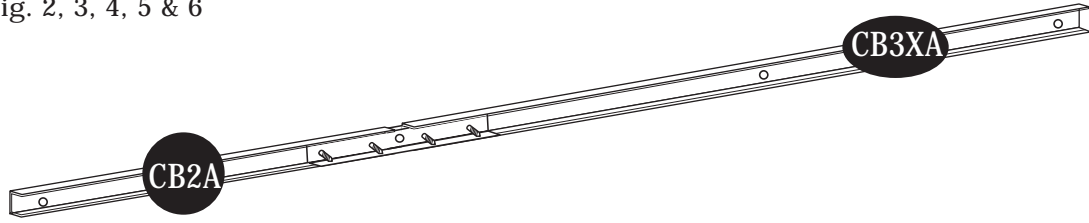


Fig.1: Use (S2) screws. Fix (FCB) fitting to (CCA). Leave it loose.

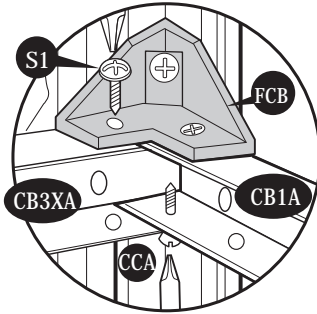


Fig.2: Use (S1) screws. Fix (CB3XA) to (FCB) and (CB1A)

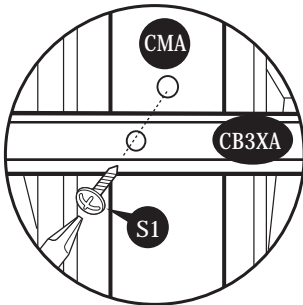
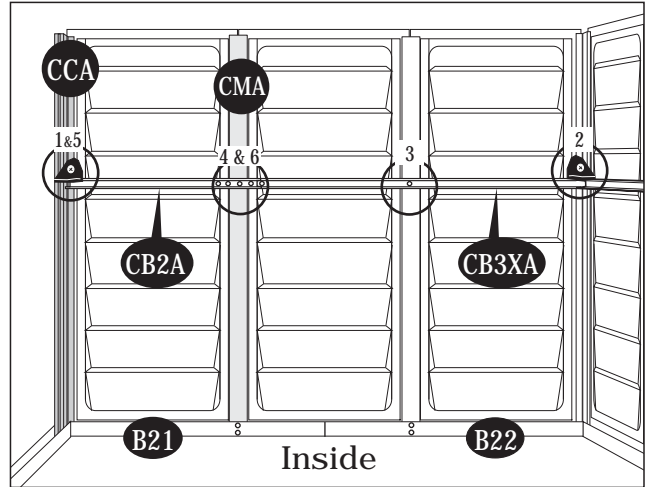


Fig.3: Use (S1) screws. Fix (CB3XA) to (CMA) columns.

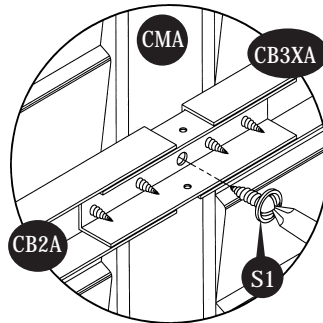


Fig.4: Fix to (CMA) with (S1) screw.

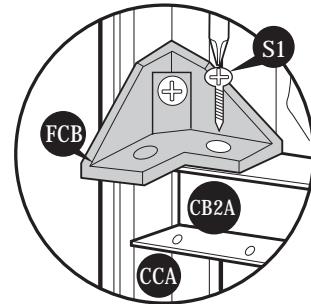


Fig.5: Use (S1) Screws. Fix (CB2A) to (FCB) fitting.

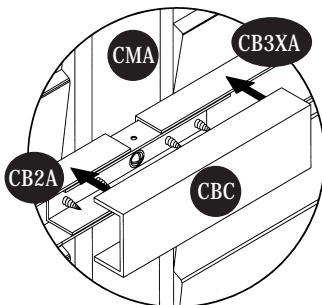
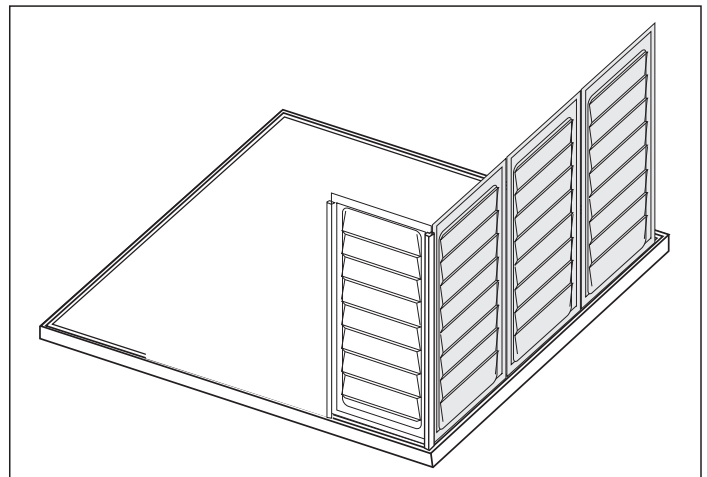
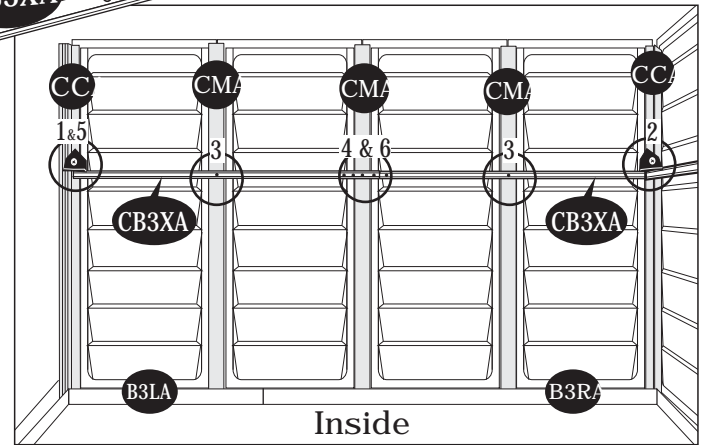
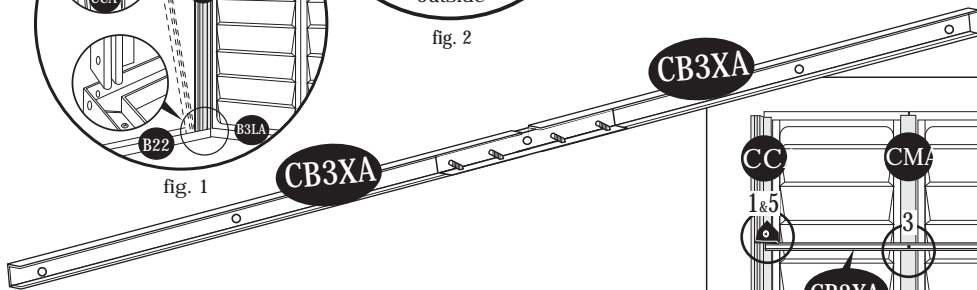
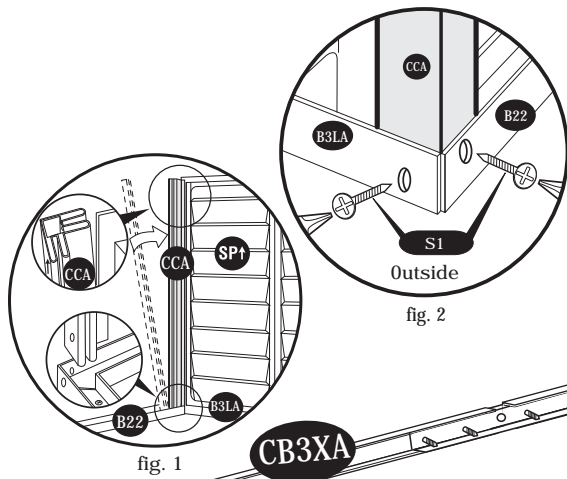
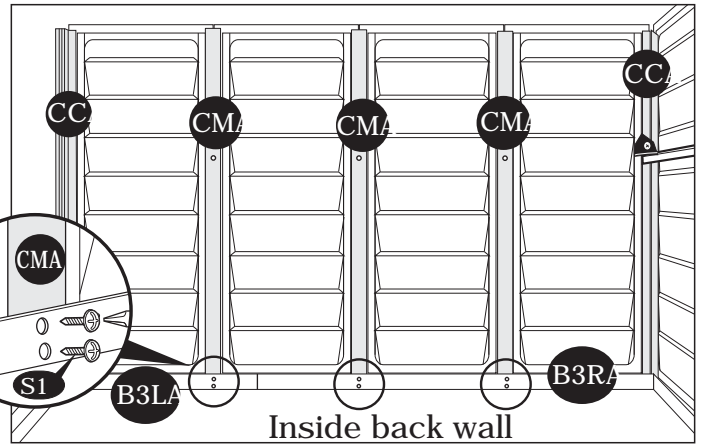


Fig.6: Center band joint must be cover with (CBC) cover to avoid the injury.



13. Working from inside Continue connecting the 4 back panels (SP↑) and columns (CMA) in sequence along (B3RA) & (B3LA) base to corner column (CCA). Use (S1) screws to fix columns to base. Slide corner column (CCA) into side panel (SP↑) pushing the column into position. See (fig.1) and (fig.2).



14. Stabilize the side panels with center bands (CB3XA) assembly. Fix center band fitting (FCB) to corner column (CCA) with (S2) screws. See Fig. 1 Follow the Fig. 1, 2, 3, 4, 5 & 6.

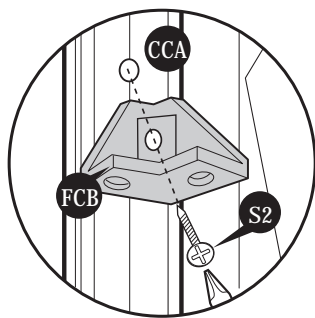


Fig.1: Use (S2) screws. Fix (FCB) fitting to (CCA). Leave it loose.

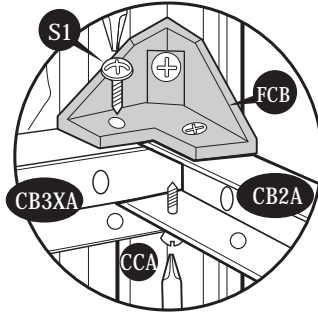


Fig.2: Use (S1) screws. Fix (CB3XA) to (FCB) and (CB2A).

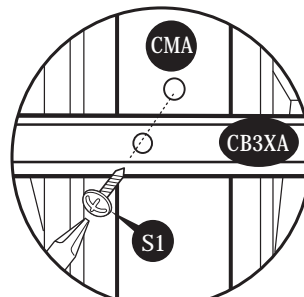


Fig.3: Use (S1) screws. Fix (CB3XA) to (CMA)

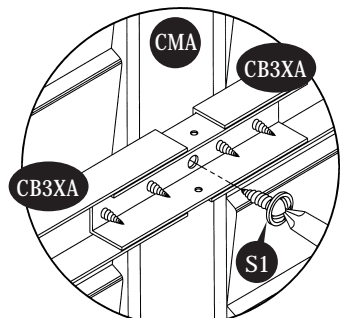


Fig.4: Fix to (CMA) with (S1) screw.

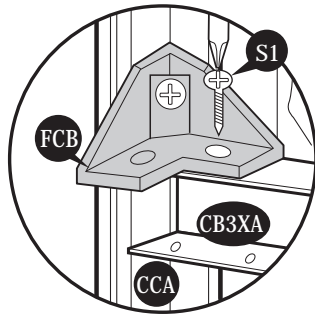


Fig.5: Use (S1) Screws. Fix (CB3XA) to (FCB) fitting.

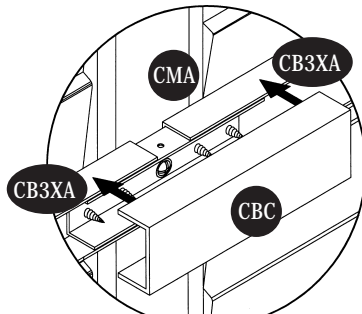
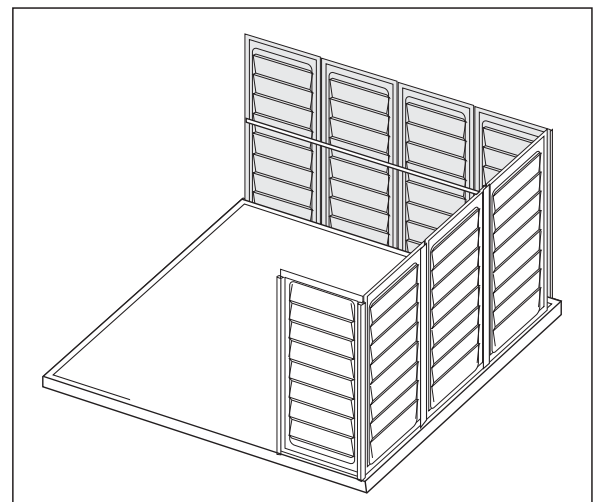
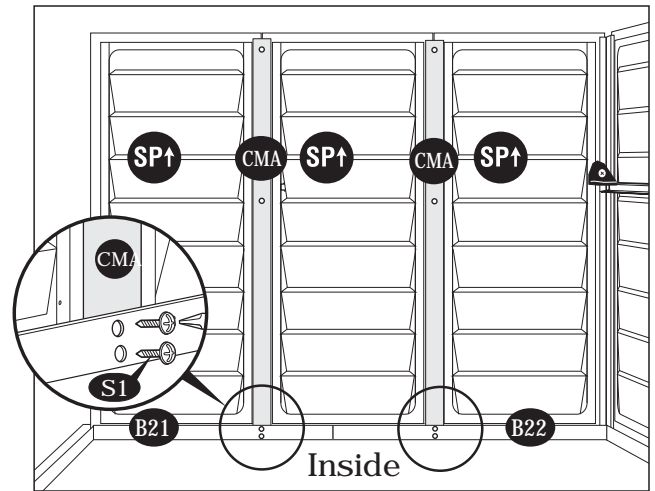


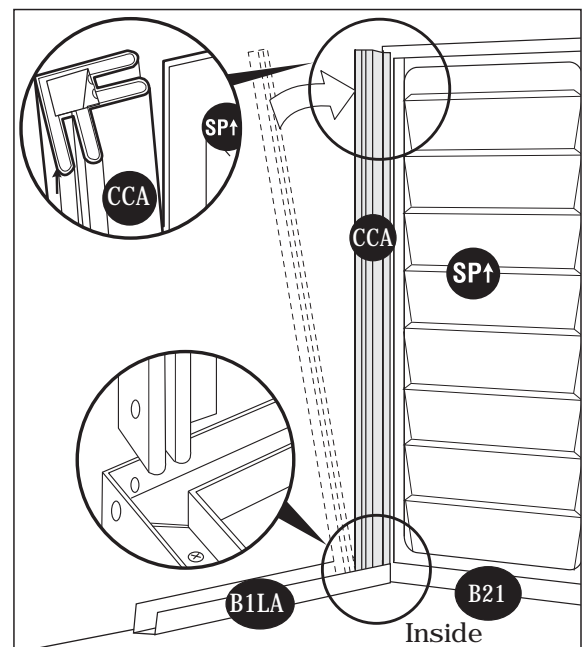
Fig.6: Center band joint must be cover with (CBC) cover to avoid the injury.



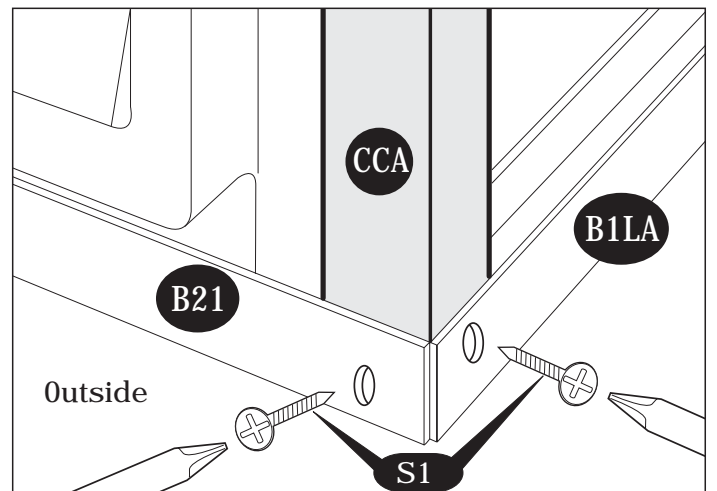
15. Working from inside Continue connecting the 3 side panels (SP↑) and columns (CMA) in sequence along (B22 & B21) base. Use (S1) screws to fix columns to base.



16. Slide corner column (CCA) into side panel (SP↑) pushing the column to the side panel.



17. Working outside use (S1) screws to secure column to bases (B21) and (B1LA).



18. Stabilize the side panels with center bands (CB2A) & (CB3XA). Fix (FCB) fitting to corner column (CCA). See Fig.1 Follow the Fig. 2, 3, 4, 5 & 6.

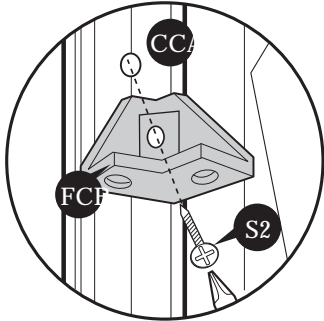
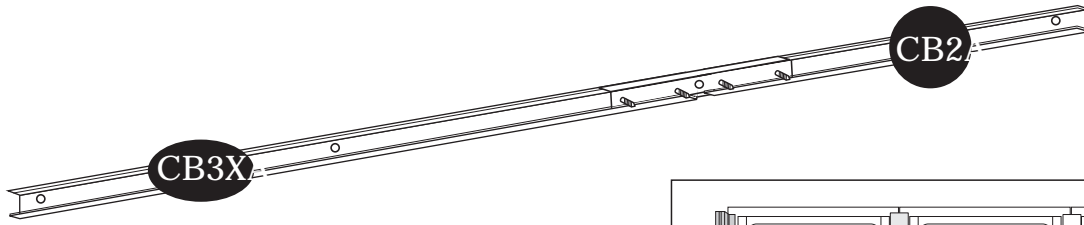


Fig.1: Use (S2) screws. Fix (FCB) fitting to (CCA). Leave it loose.

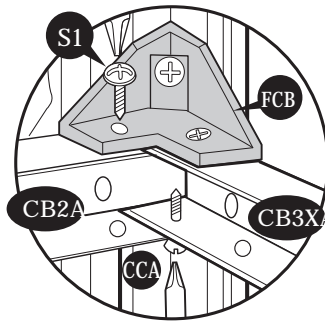


Fig. 2: Use (S1) screws. Fix (CB2A) to (FCB) and (CB3XA)

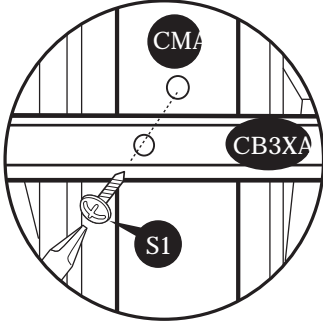
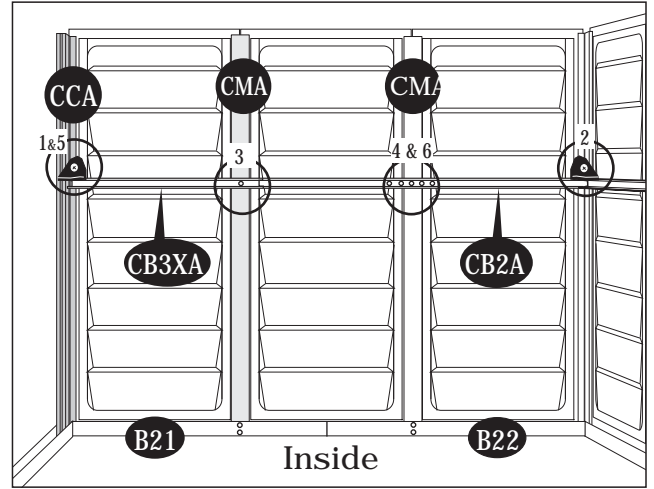


Fig.3: Use (S1) screws. Fix (CB3XA) to (CMA) columns.

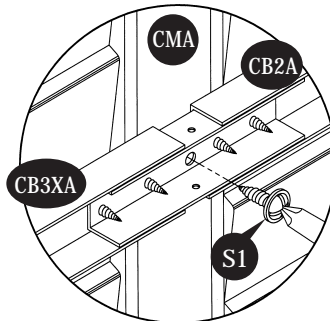


Fig. 4: Fix to (CMA) with (S1) screw.

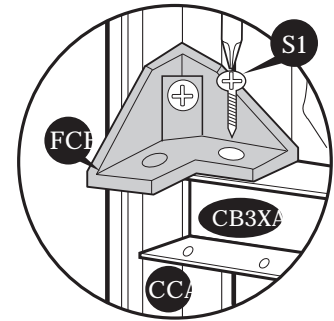


Fig.5: Use (S1) Screws. Fix (CB3XA) to (FCB) fitting.

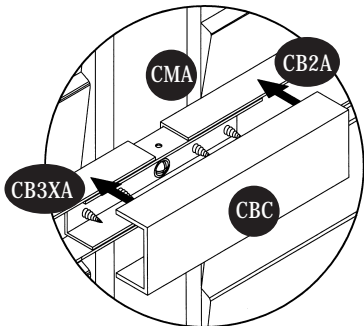
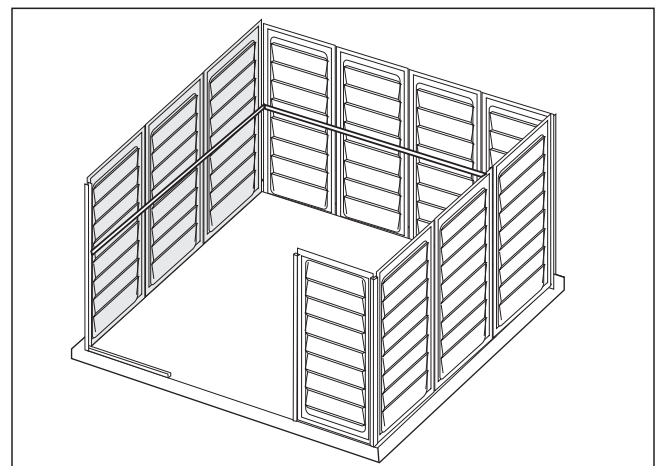
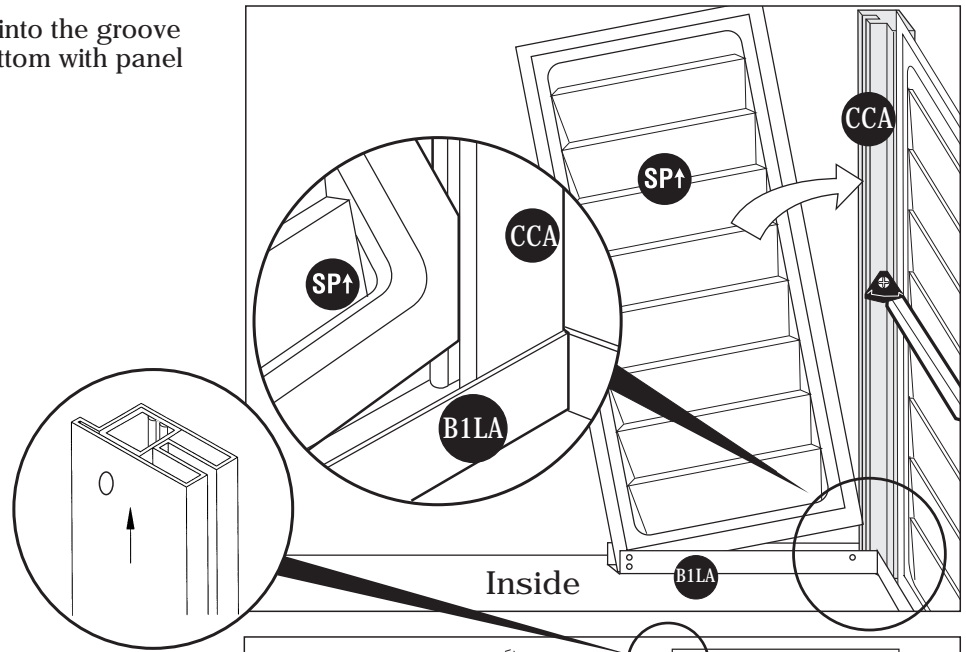


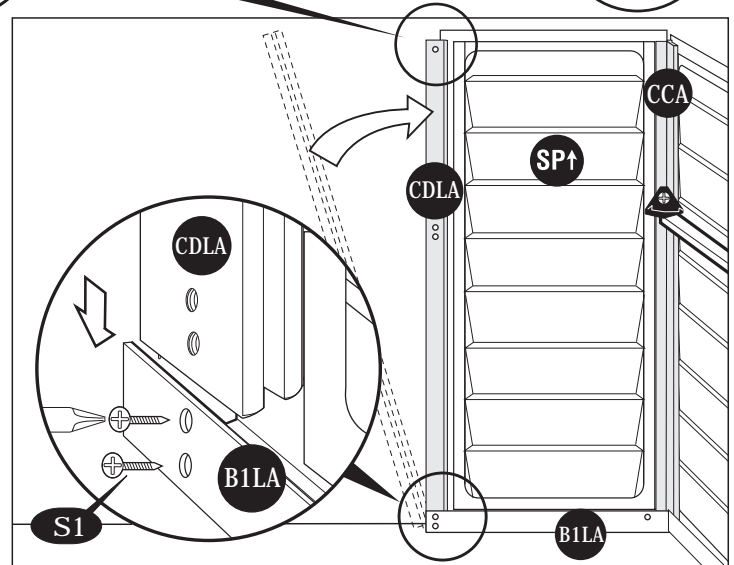
Fig.6: Center band joint must be cover with (CBC) cover to avoid the injury.



19. Insert the side panel (SP↑) into the groove of column (CCA). Start at the bottom with panel at an angle then push into place.



20. Slide door column (CDLA) into the U-Channel Base (B1LA) on the left side of the door. Line up the pre-drilled holes on (CDLA) Column with pre-drilled holes on U-Channel Base (B1LA). Fix with two (S1) screws from inside. (see blow up detail).



21. To stabilize the front panel attach center band (CB1A). See figures (fig.1) (fig.2).

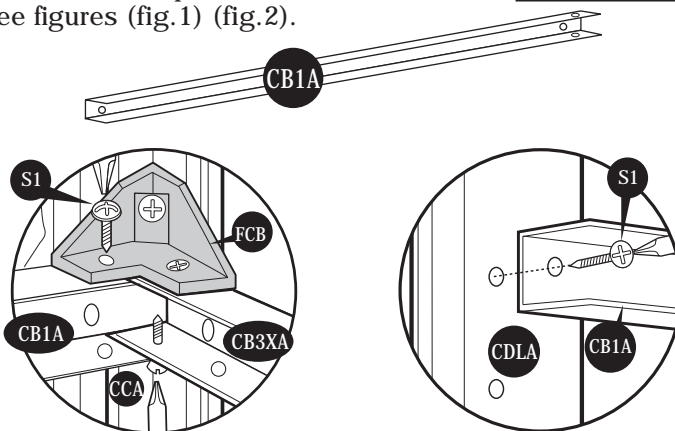
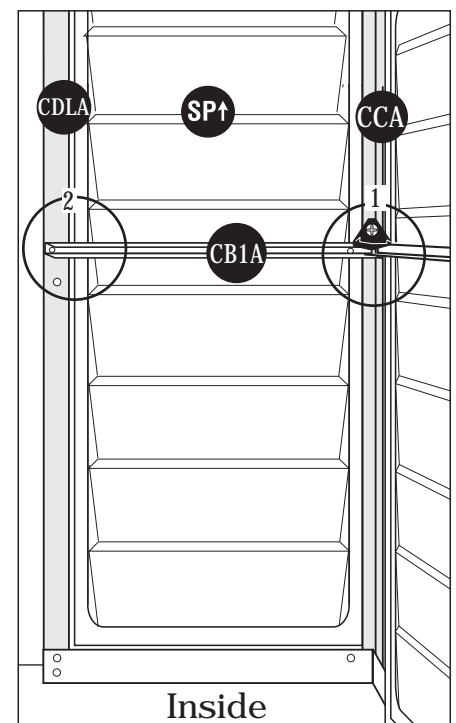


Fig.1: Use (S1) screws. Fix (CB1A) to fitting (FCB) & (CB3XA)

Fig.2: Use (S1) screw. Fix (CB1A) to (CDLA)



After completing the center band assembly fully tighten the four center band fittings (FCB) to the corner column (CCA).



22. Fix center band (CB4A) to (CDLA) and Base (B1LA)
See figures (fig.1), (fig.2) and (fig.3).

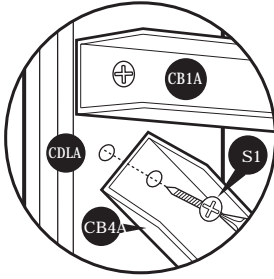


Fig.1: Use (S1) screw. Fix (CB4A) to (CDLA)

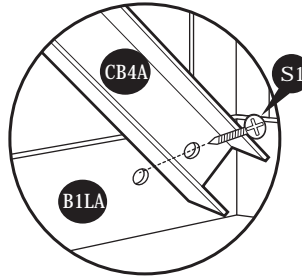


Fig.2: Use (S1) screw. Fix (CB4A) to base (B1LA)

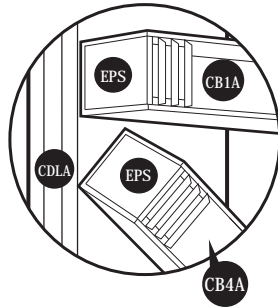
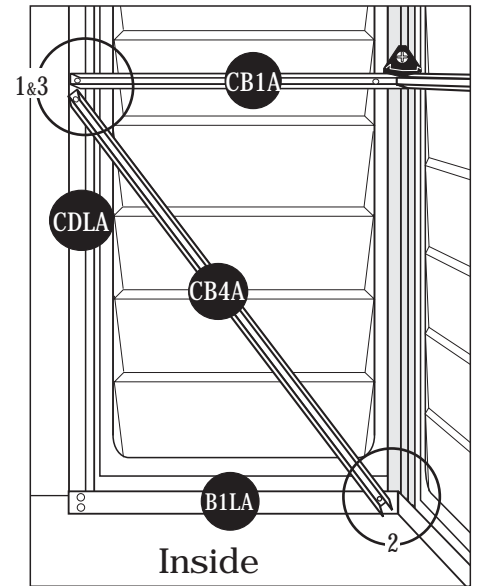
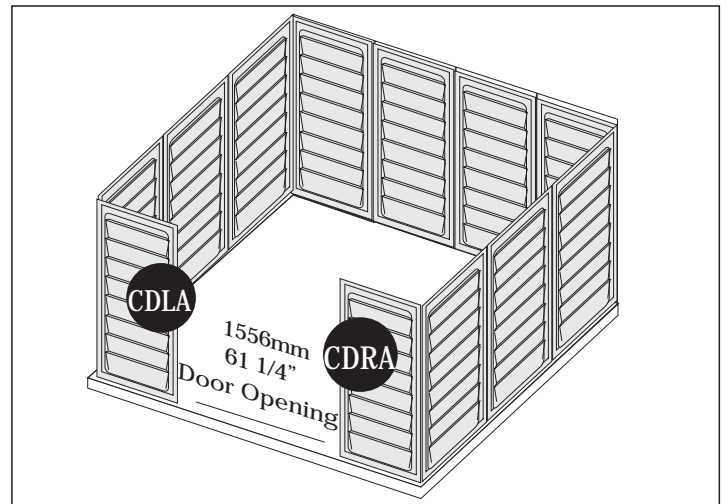


Fig.3: Fix the (EPS) at the end of (CB1A) & (CB4A).



23. Make sure the door opening between the door columns (CDLA) and (CDRA) is 61 1/4" (1556mm). This will ensure a perfect fit for the doors.



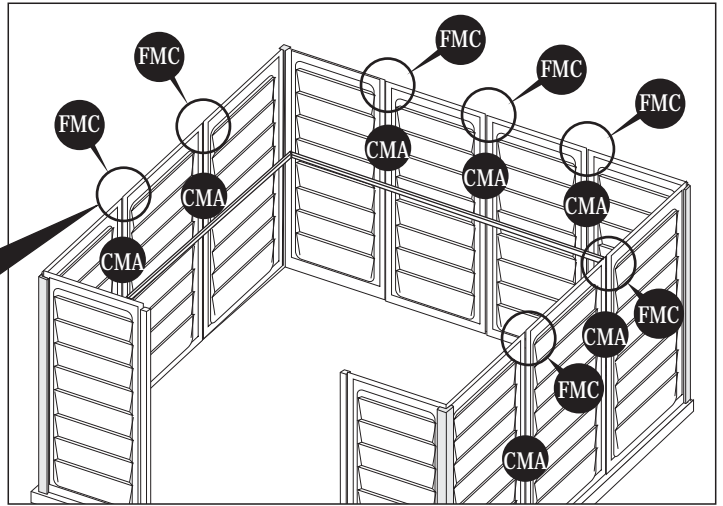
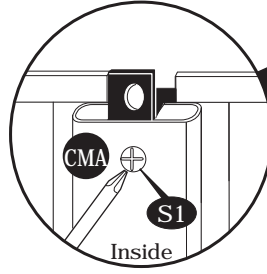
C. Roof Frame



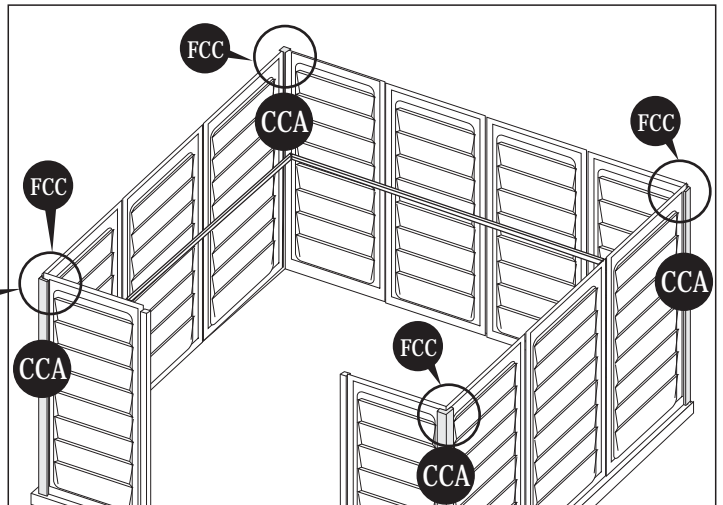
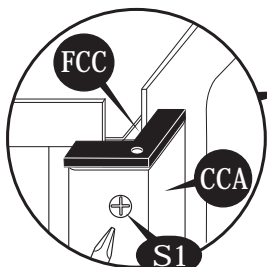
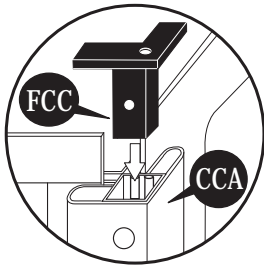
Parts Needed:

(4) RS1 Roof Structure Left	(RS1A)	(2) RS10 Roof Structure Support	(RS10A)
(4) RS2 Roof Structure	(RS2A)	(2) RS11 Roof Structure Support Short	(RS11A)
(2) RS3 Roof Structure Long	(RS3LA)	(2) RS12 Roof Structure Support Long	(RS12A)
(2) RS3 Roof Structure Short	(RS3XA)	(1) Door Stopper Horizontal	(DSH)
(4) RS4 Roof Structure	(RS4XA)	(1) Door Column Fitting Left	(FDCL)
(4) RS5 Roof Structure	(RS5A)	(1) Door Column Fitting Right	(FDCR)
(2) RS6 Roof Structure	(RS6XA)	(4) Corner Column Fitting	(FCC)
(2) RS7 Roof Structure	(RS7XA)	(7) Middle Column Fitting	(FMC)
(4) RS8 Roof Structure Support Long	(RS8A)	(4) 90 Degree Joint	(R.J)
(4) RS9 Roof Structure Support Short	(RS9A)		
(4) Middle Joining Support	(MJ)		

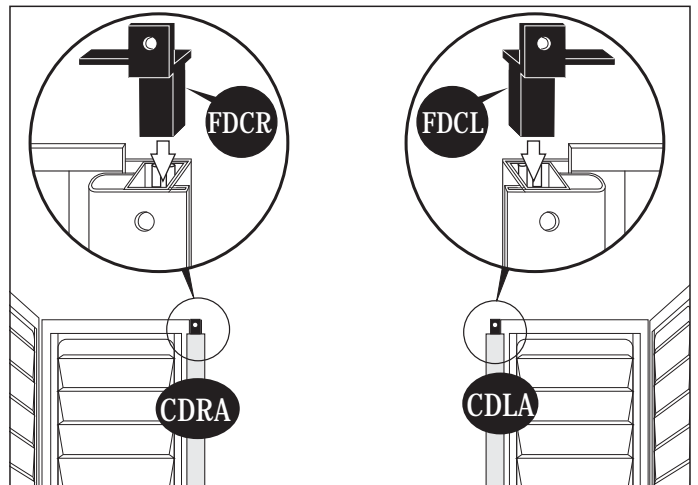
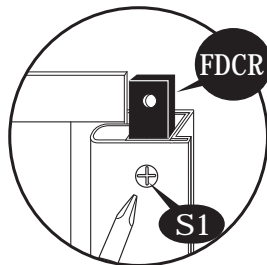
1. Insert the middle column fitting (FMC) into top of the middle columns (CMA). Fix the column to fittings with (S1) screws from inside the shed.



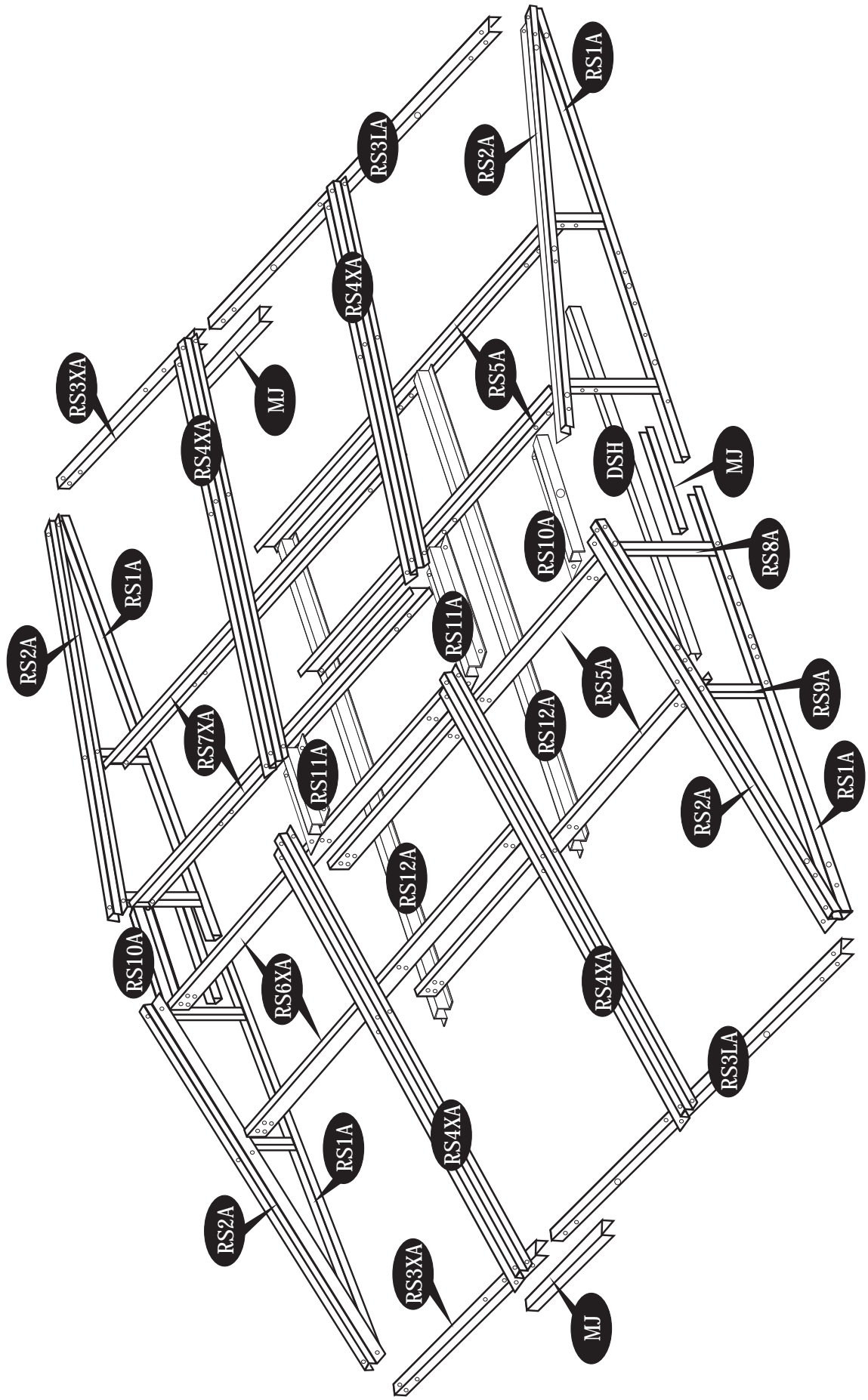
2. Insert the corner column fittings (FCC) into the corner columns (CCA). Fix with (S1) screws from outside of the shed.



3. Insert the door column fittings (FDCL) and (FDCR) left and right into the door columns (CDLA) and (CDRA). Fix with (S1) screws from inside the shed.

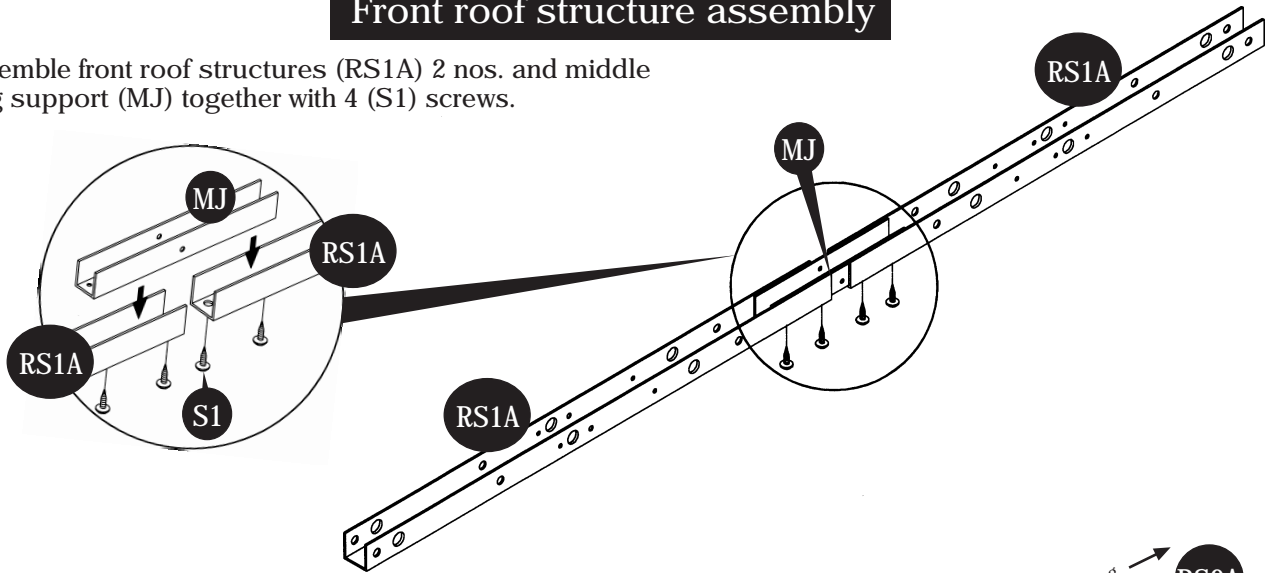


Roof Structure Exploded View

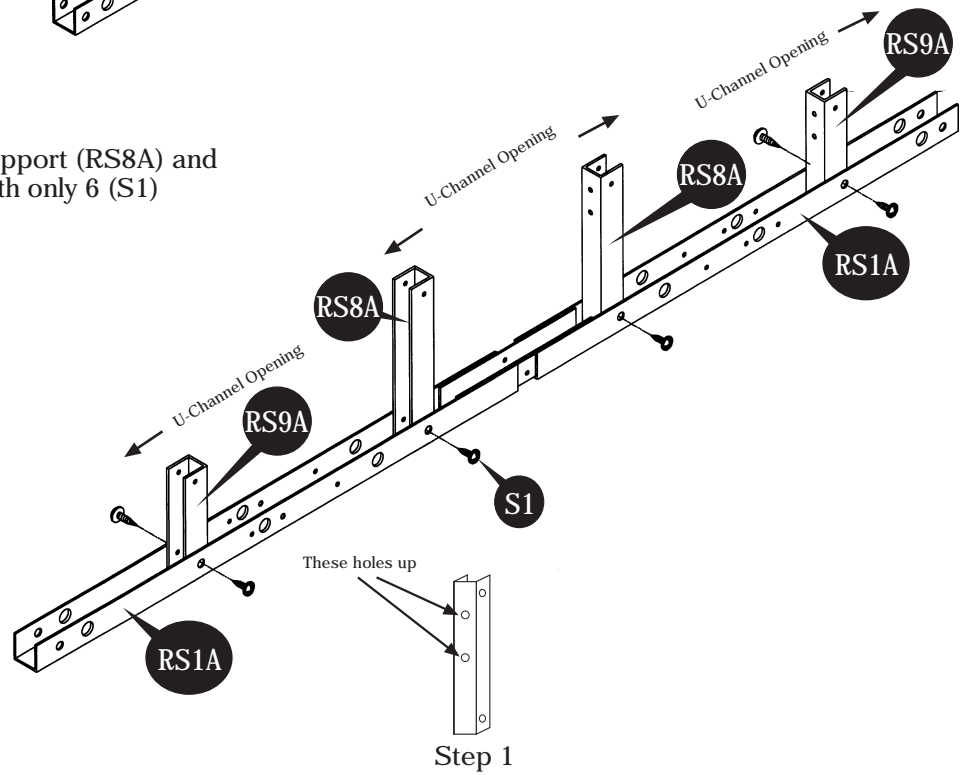


Front roof structure assembly

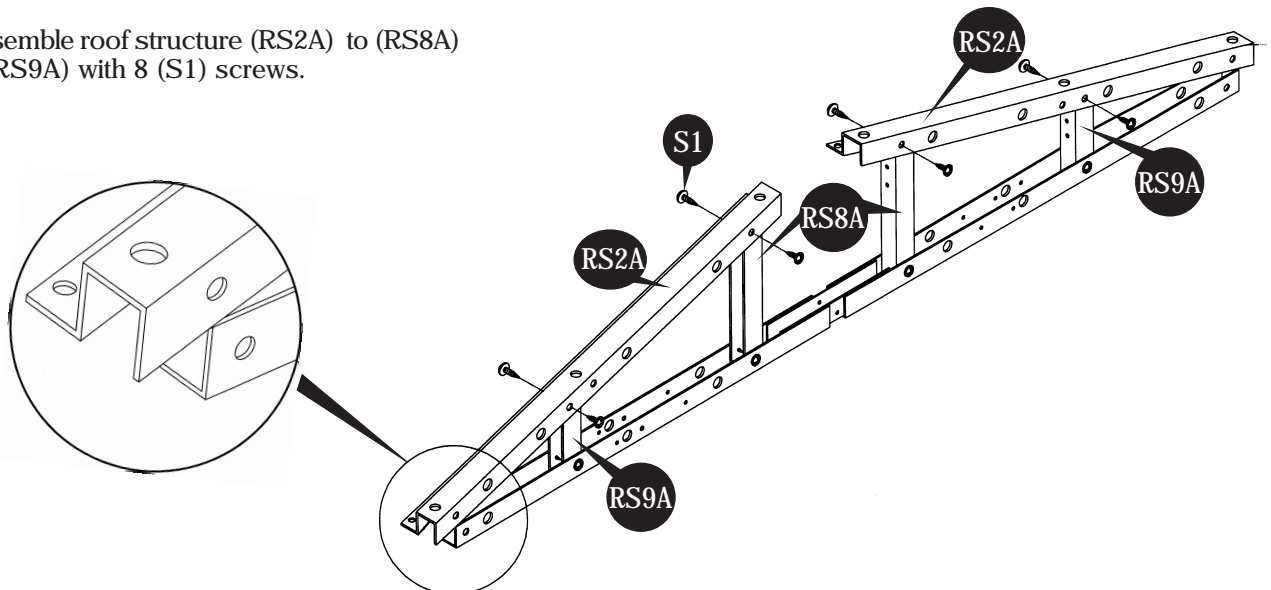
4. Assemble front roof structures (RS1A) 2 nos. and middle joining support (MJ) together with 4 (S1) screws.



5. Assemble roof structure support (RS8A) and (RS9A) to (RS1A) assembly with only 6 (S1) screws as shown in fig.

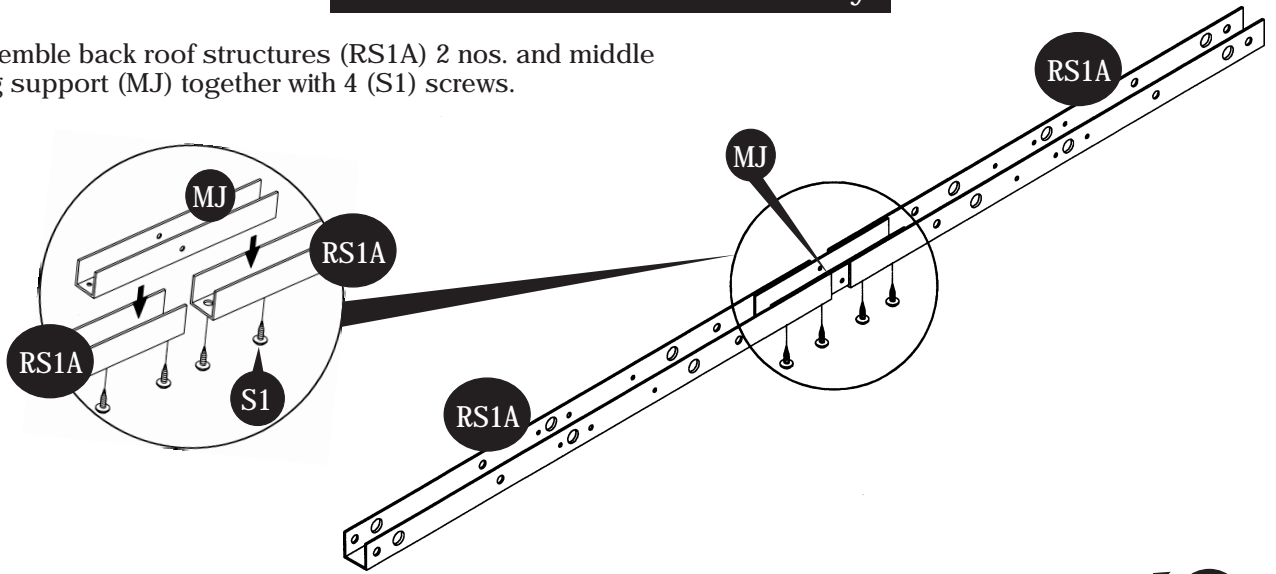


6. Assemble roof structure (RS2A) to (RS8A) and (RS9A) with 8 (S1) screws.

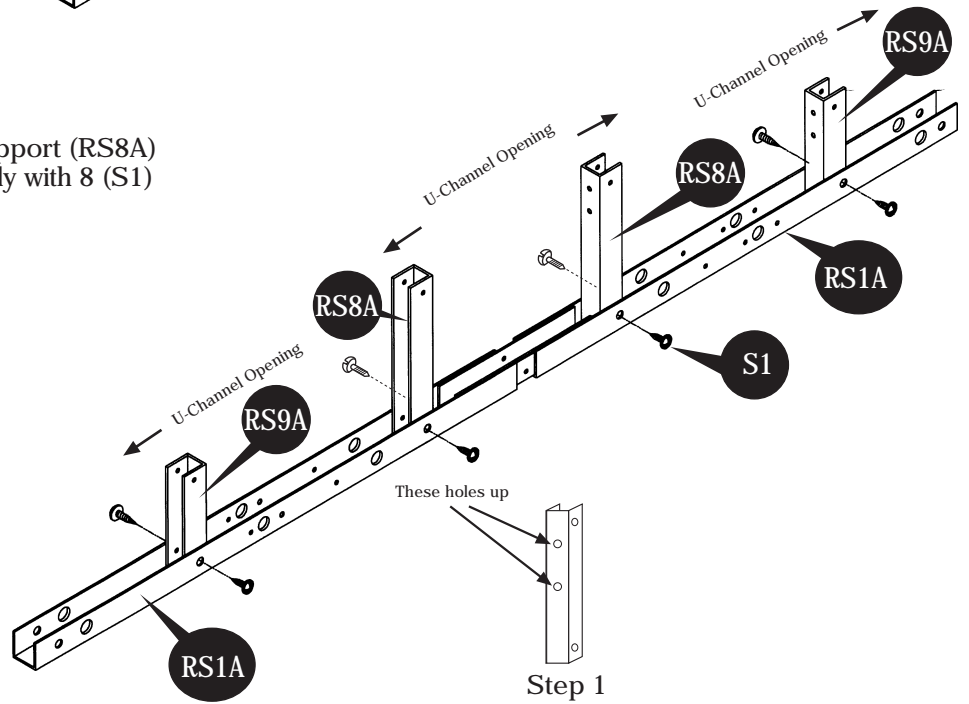


Back roof structure assembly

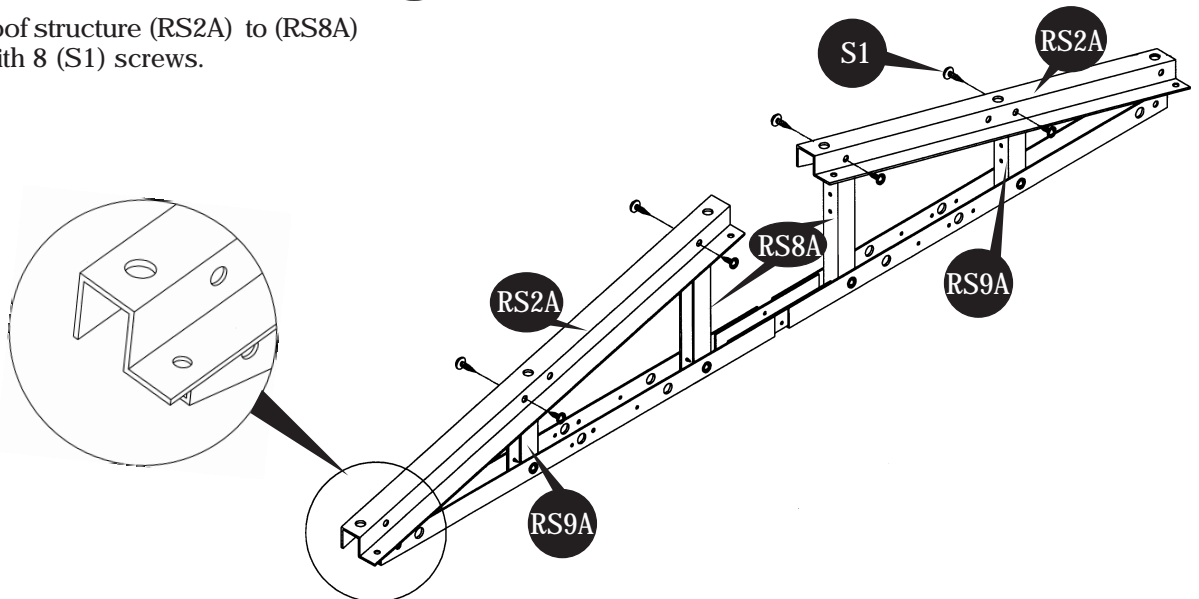
7. Assemble back roof structures (RS1A) 2 nos. and middle joining support (MJ) together with 4 (S1) screws.



8. Assemble roof structure support (RS8A) and (RS9A) to (RS1A) assembly with 8 (S1) screws.



9. Assemble roof structure (RS2A) to (RS8A) and (RS9A) with 8 (S1) screws.



10. Assemble roof structures (RS3LA), (RS3XA) with middle joining support (MJ). Use only 2 (S1) screws as shown in fig.1
Make 2 sets.

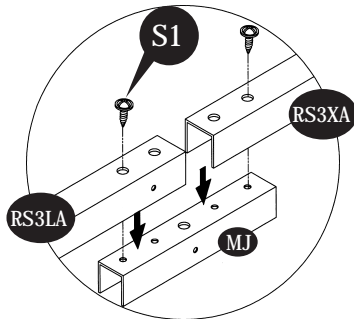
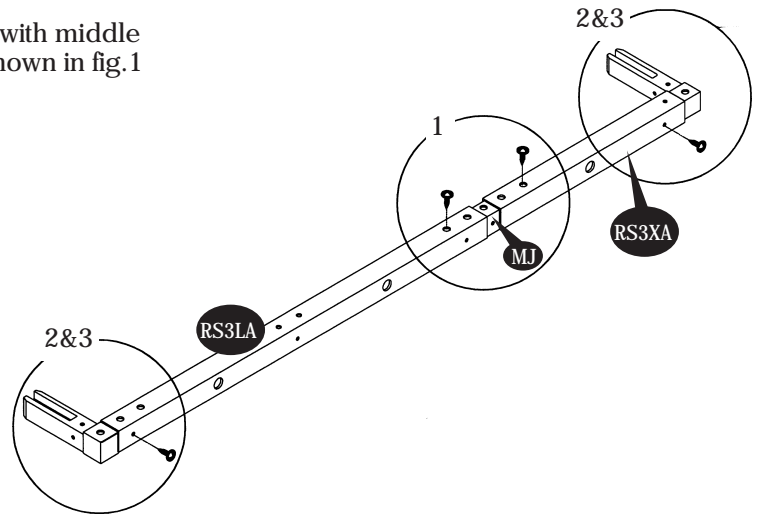


fig.1



10a. Insert 90 degree joint (RJ) into the roof structure (RS3LA). Use a hammer to push in. Use (S1) screws to fix. Repeat on other end of (RS3XA). See fig.2 & fig.3.

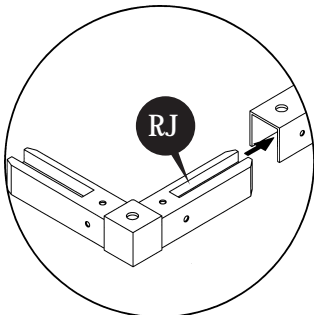


fig.2

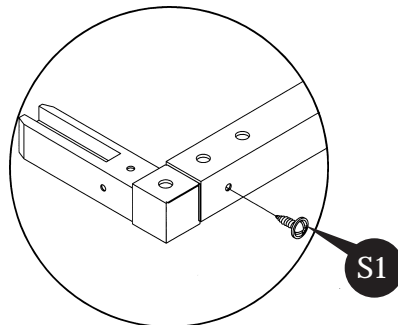
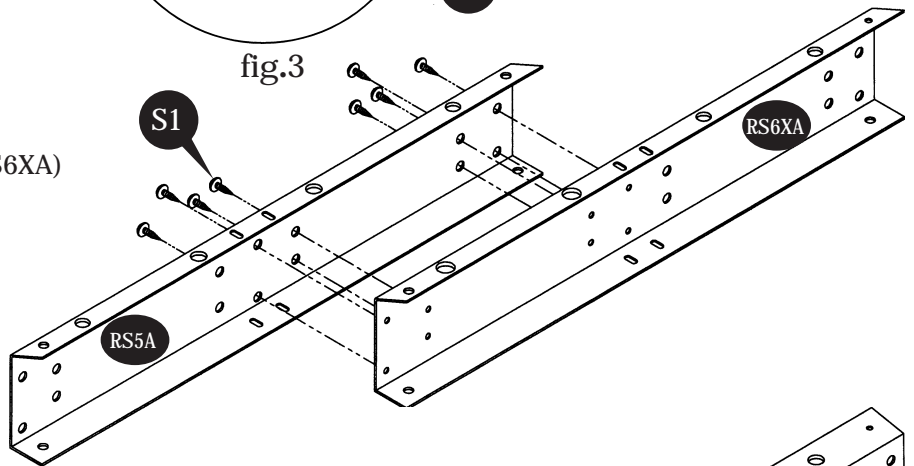
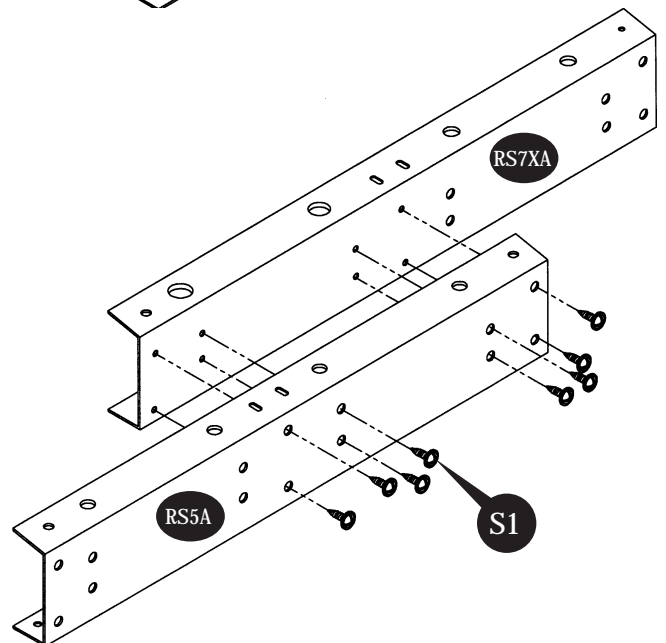


fig.3

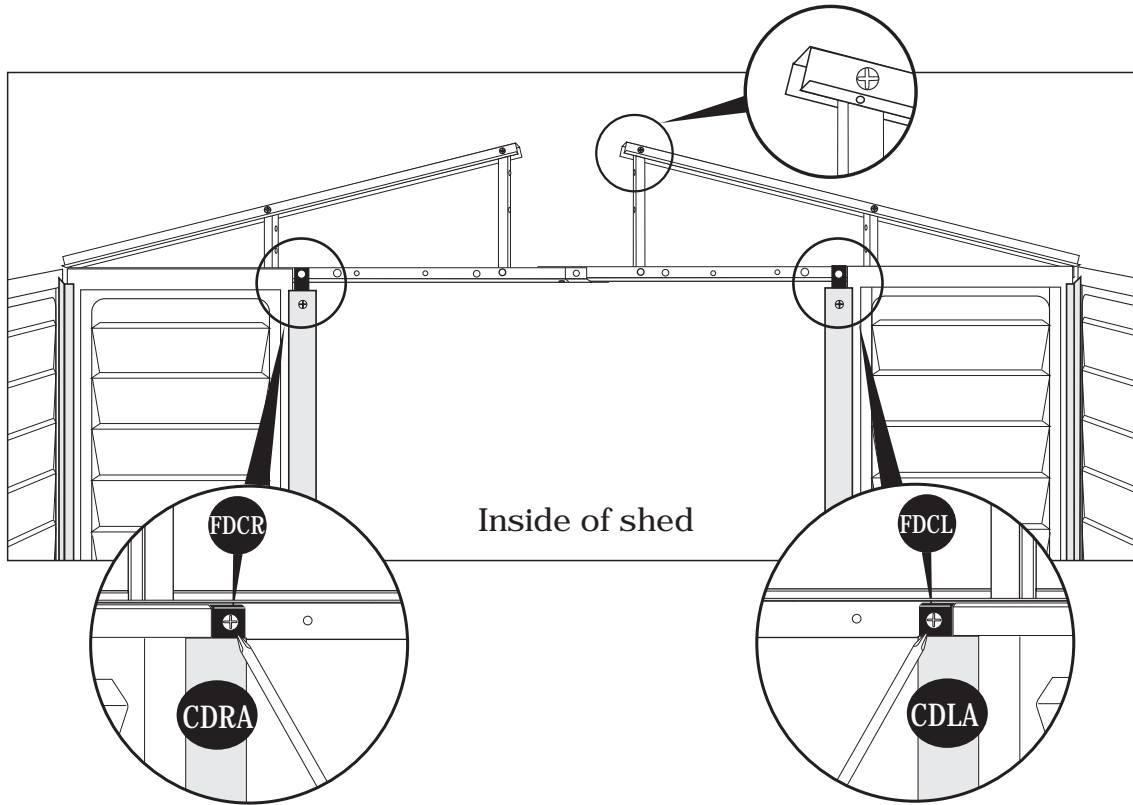
11. Assemble the roof structure (RS6XA) into (RS5A) with 8 (S1) screws.
Make 2 sets.



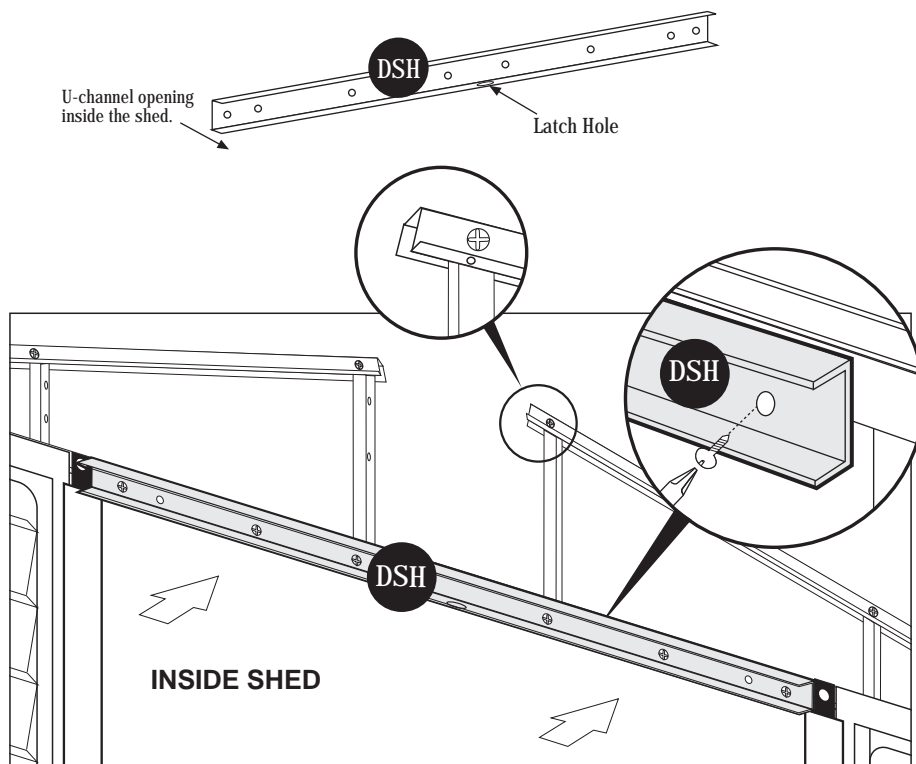
12. Assemble the roof structure (RS7XA) into (RS5A) with 8 (S1) screws.
Make 2 sets.



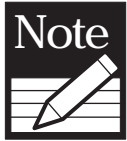
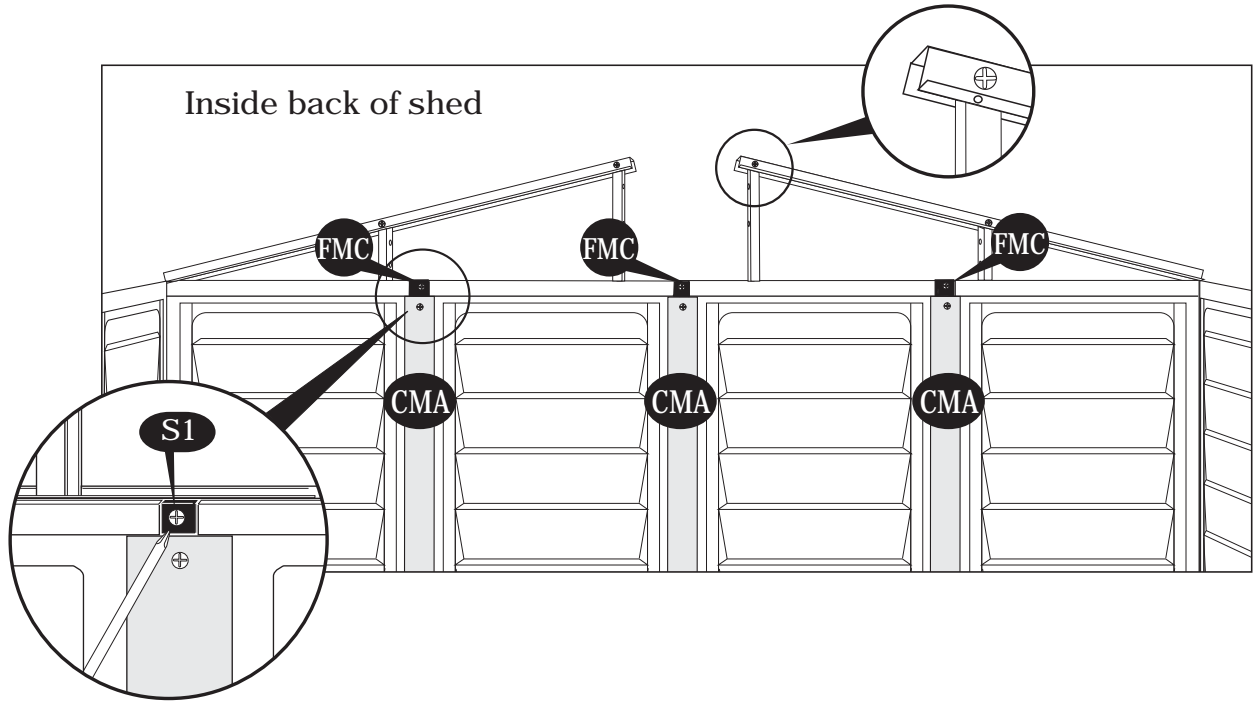
13. Place the assembled front roof structure into position on top of door columns. Line up pre-drilled holes with door column fittings (FDCL) & (FDCR). Use (S1) screws to fix front roof structure to the door columns with left and right door column fittings.



14. Fix the door stopper horizontal (DSH) to the front roof structure from inside with 6 (S1) screws. Position the latch hole to face down.



15. Place the assembled back roof structure into position on top of middle columns (CMA). Line up pre-drilled holes with middle column fittings (FMC). Use (S1) screws to fix back roof structure to (FMC).



Note Make sure the (RS2A) roof structure position towards inside the shed as shown in Fig.1 & Fig. 2.

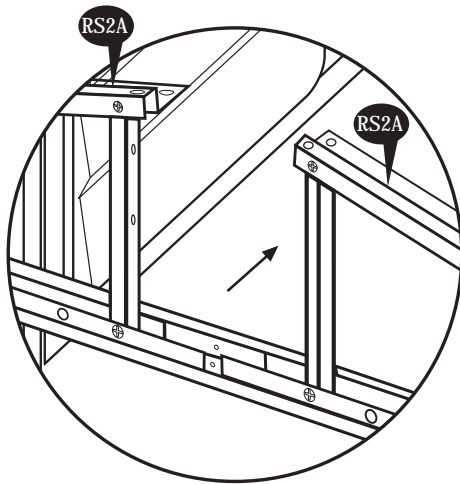
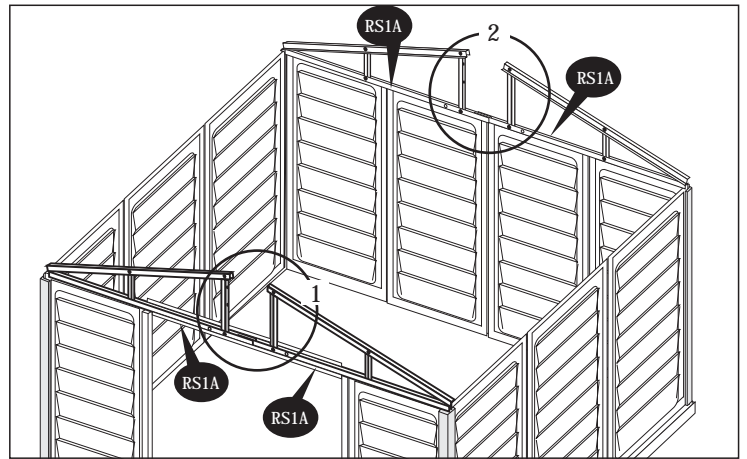


Fig.1

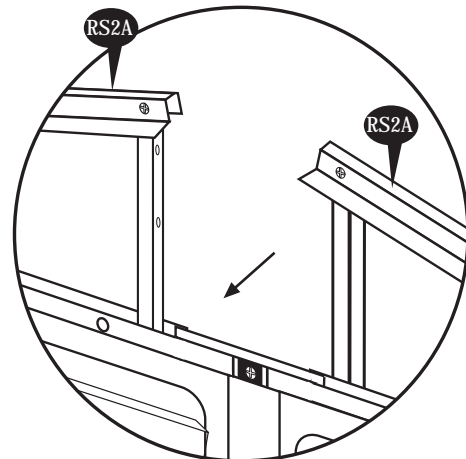
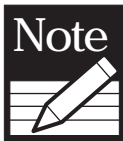
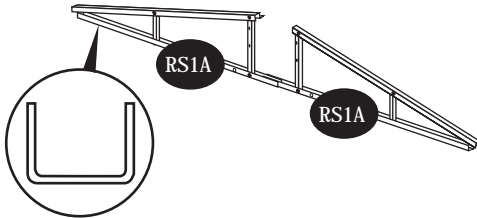


Fig.2

16. Insert the 90 degree joint (RJ) (assembled with RS3LA & RS3XA roof structure) into the roof structure (RS1A). See fig. 1. Follow (fig.2) & (fig.3)



After assembly make sure (RS3LA) & (RS3XA) roof structure's U-Channel is positioned down.



Notice the U-channel up position on roof structures (RS1A).

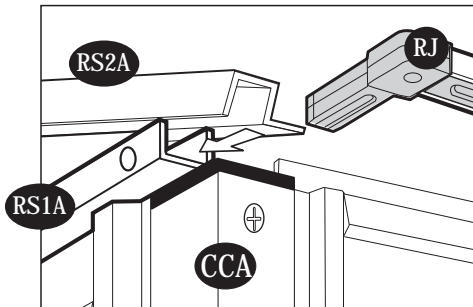
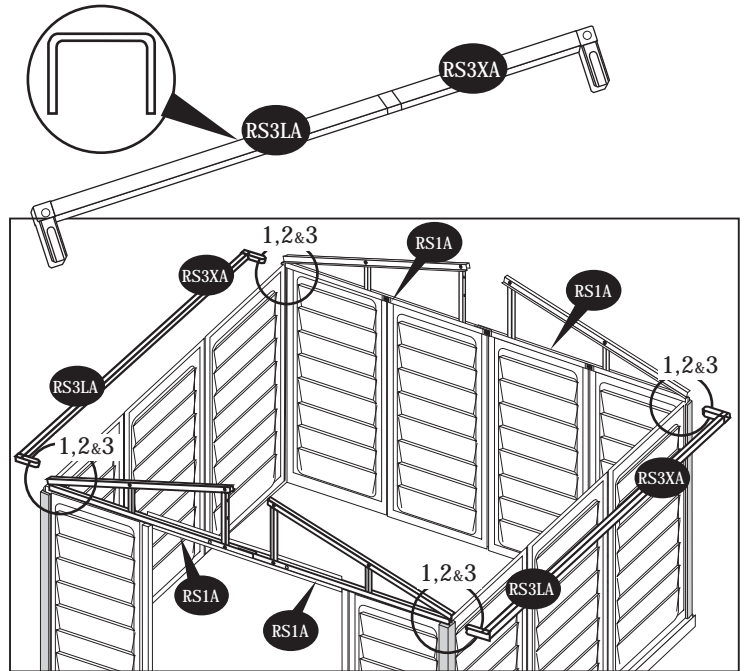


fig.1

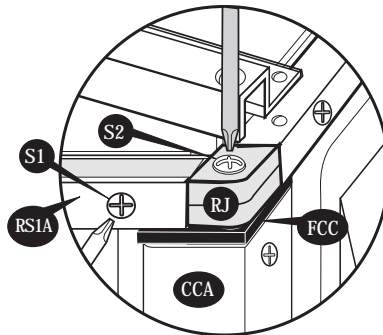


fig.2

Secure (RJ) 90 degree joint to (RS1A) with (S1) screws on top of the four corner columns (CCA). Secure (RJ) with (FCC) using (S2) screw on all the four corner columns.

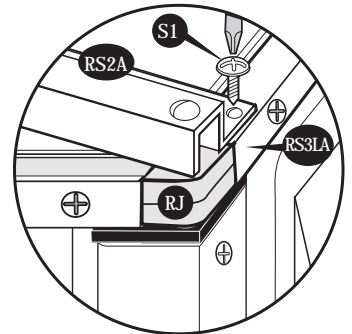


fig.3

Fix (RS2A) to 90 degree joint (RJ) through (RS3LA) & (RS3XA) with (S1) screw.

16a. Fix (RS3LA) & (RS3XA) assembly to middle column fitting (FMC) with (S1) screws.

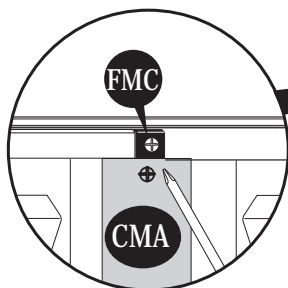
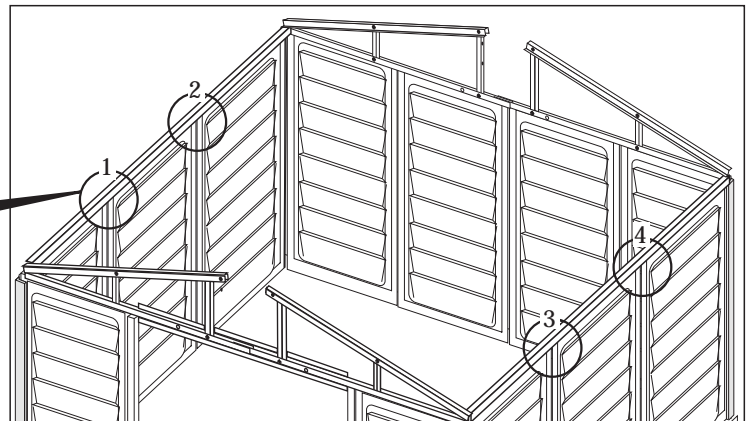
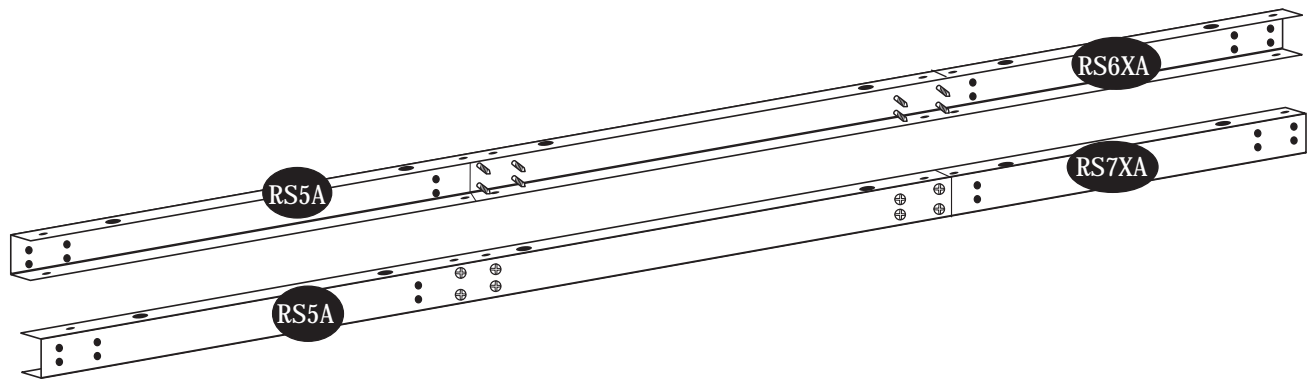


fig.1 to 4



17. Place the assembled roof structure (RS5A) & (RS6XA) into position on roof structure support (RS8A) at the left side of the shed.
Use (S1) screws to fix. See Fig.1 & Fig.2



18. Place the assembled roof structure (RS5A) & (RS7XA) into position on roof structure support (RS8A) at the right side of the shed. Use (S1) screws to fix. See Fig.1 & Fig. 2.

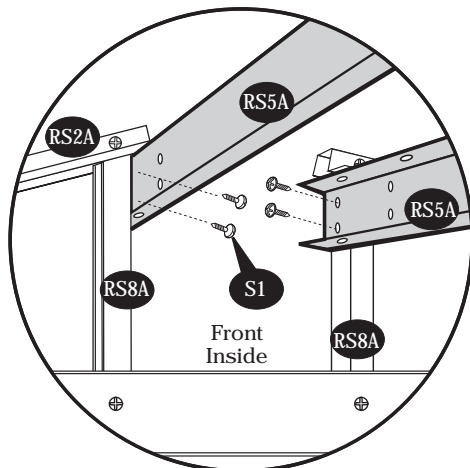
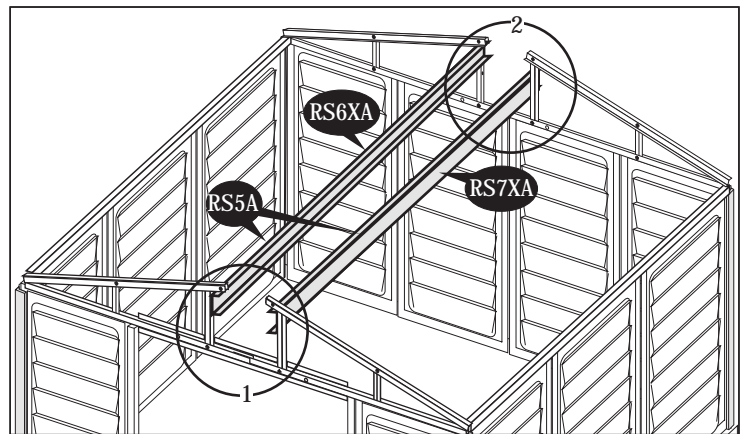


fig.1

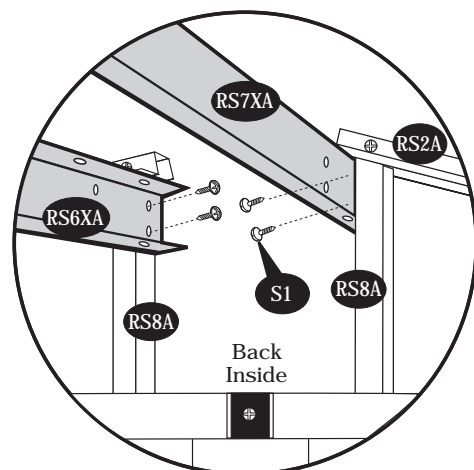
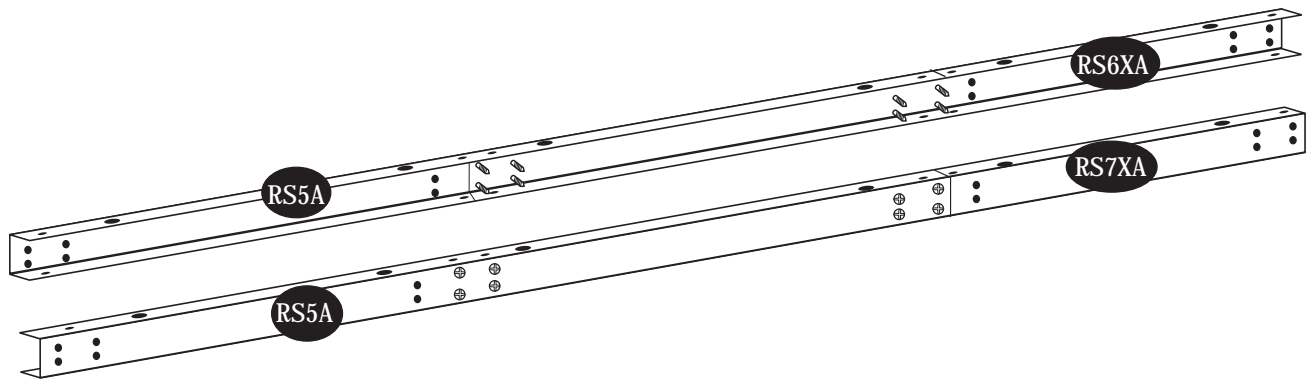


fig.2



19. Place the assembled roof structure (RS5A) & (RS6XA) into position on roof structure supports (RS9A) at the left side of the shed. Use (S1) screws to fix. See Fig.1 & 2.

20. Place the assembled roof structure (RS5A) & (RS7XA) into position on roof structure supports (RS9A) at the right side of the shed. Use (S1) screws to fix. See Fig.1 & 2.

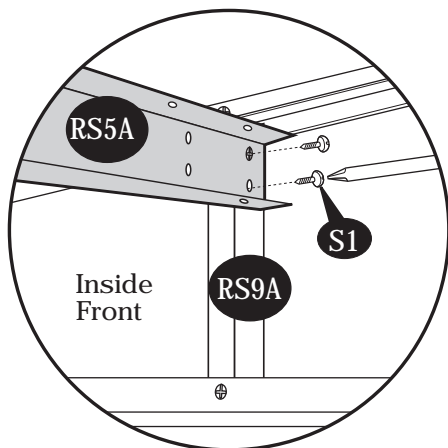
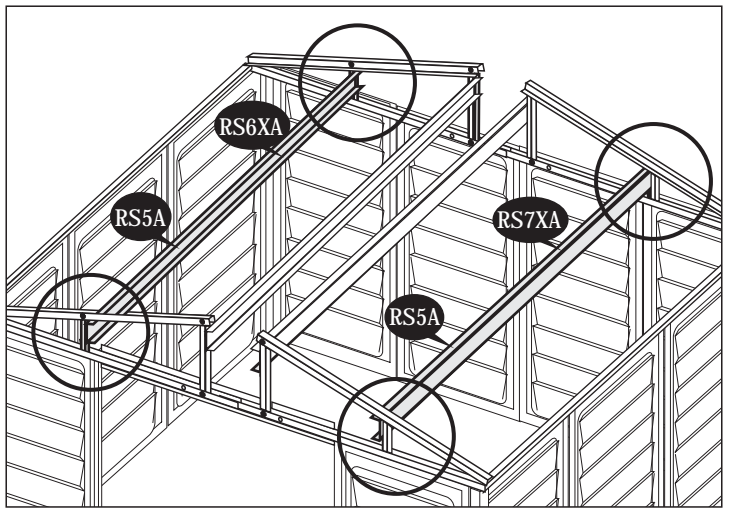


fig.1

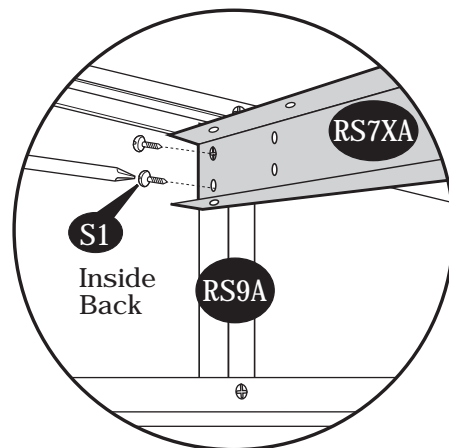


fig.2

21. Attach the **roof structures (RS4XA)** 4 nos. to **(RS3LA)** and **(RS3XA)** with **(S1)** screws.
See fig. 1 and 2.

21a. Attach the **roof structures (RS4XA)** 4 nos. to **(RS5A)**, **(RS6A)** assembly and **(RS5A)**, **(RS7A)** assembly with **(S7)** screws.

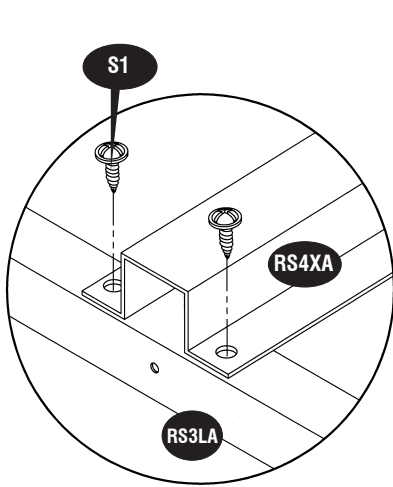
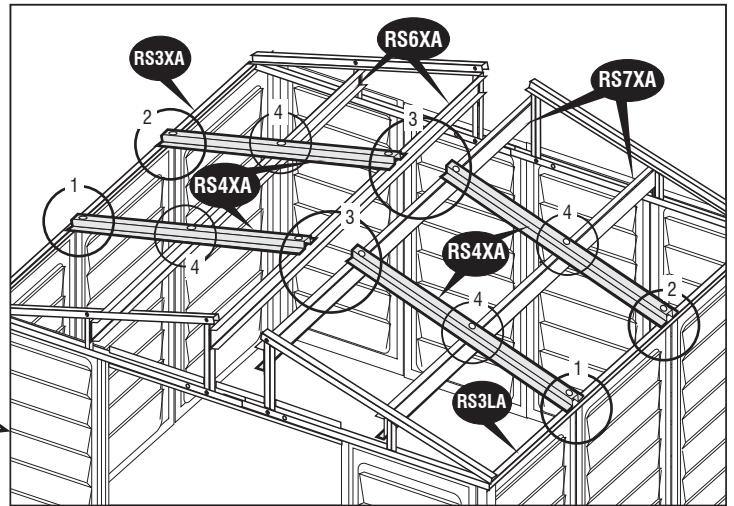


fig.1

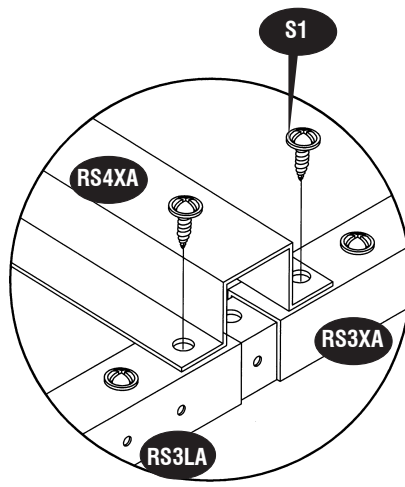


fig.2

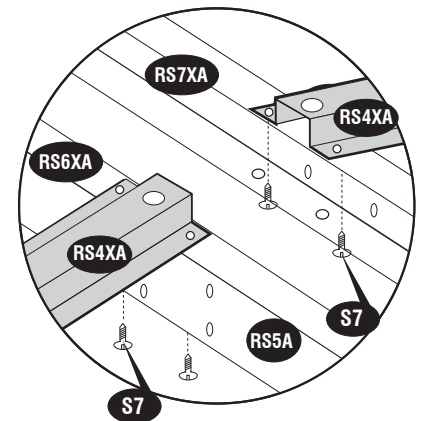


fig.3

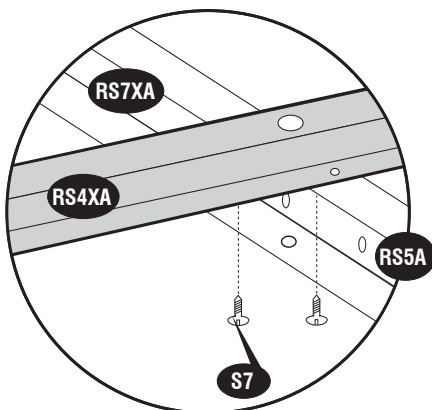
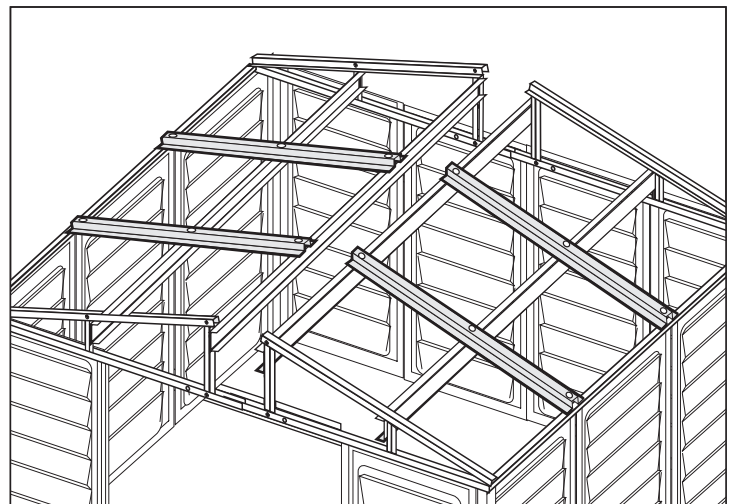
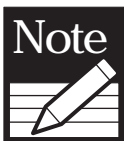
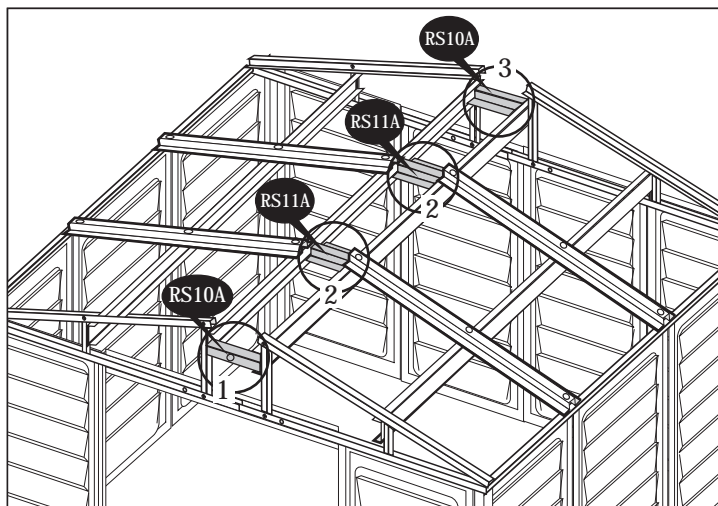
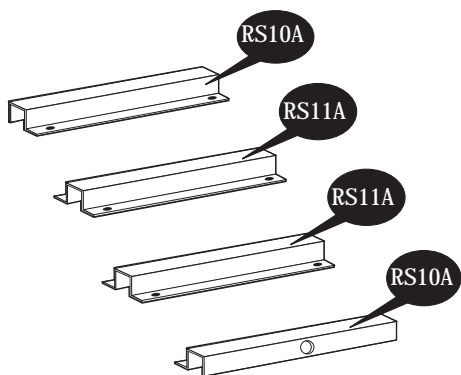


fig.4



22. Attach roof structure support (RS10A) and (RS11A) to roof structures (RS5A), (RS6XA) & (RS7XA) using (S1) screws.
See fig.1,2 and 3.



Note Make sure hole in (RS10A) face outward on both sides.

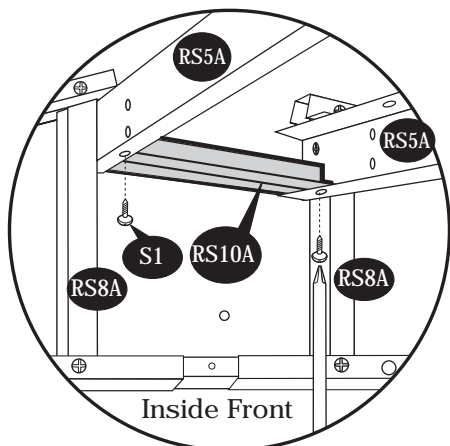
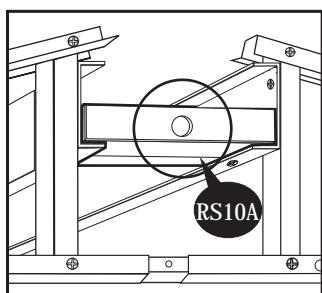


fig.1

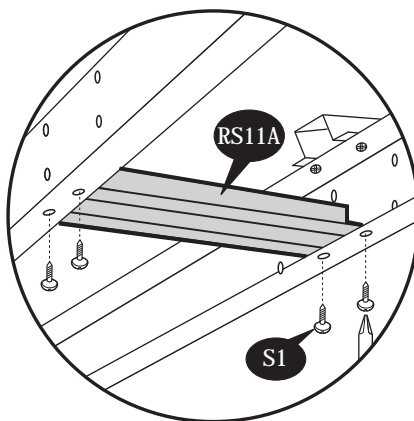


fig.2

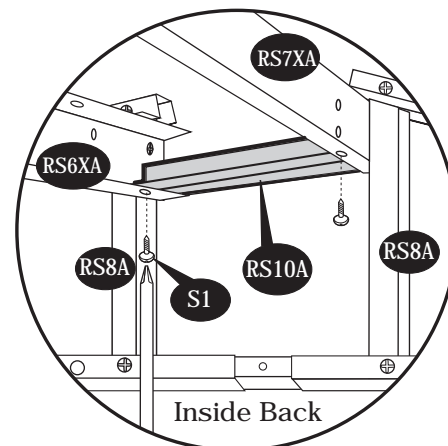


fig.3

23. Attach the roof structures support (RS12A) with (RS5A) to (RS5A) and (RS6XA) to (RS7XA) with (S1) screws. See fig.1 and 2.

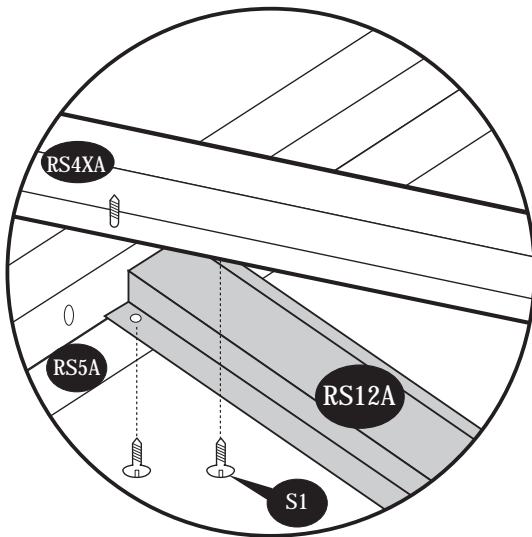
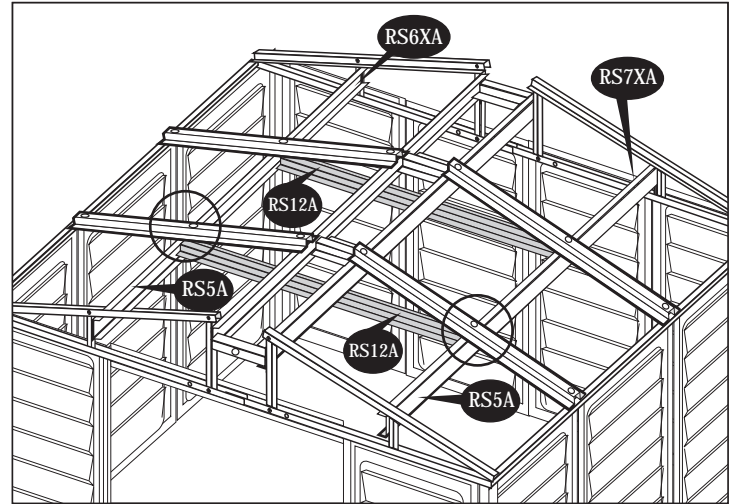


fig.1

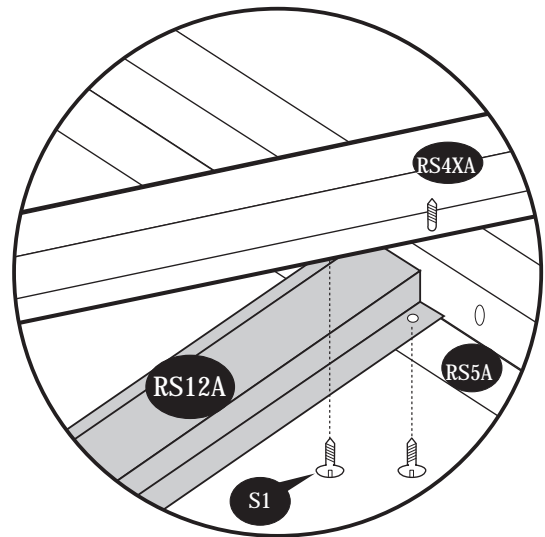
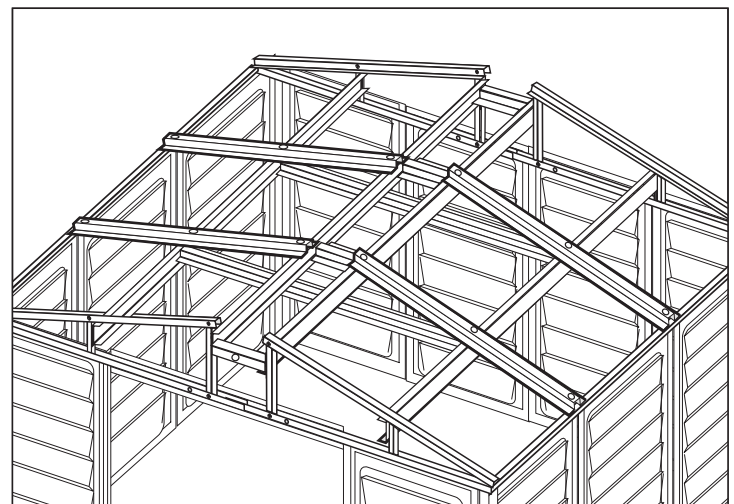


fig.2

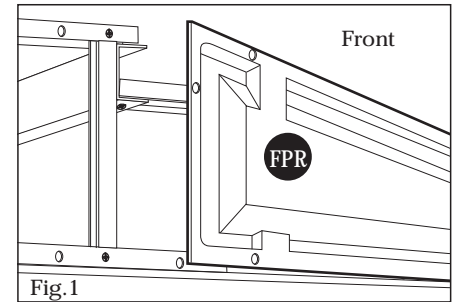


D. Roof panels

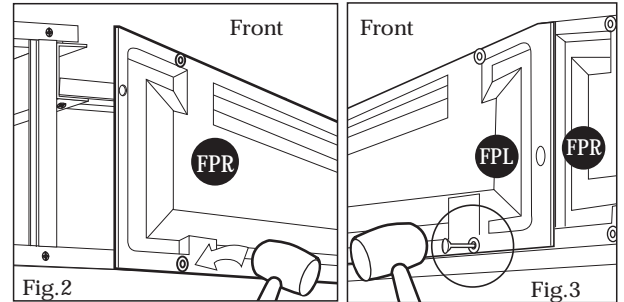
Parts Needed:

(6) Roof Panels	(RP↑)
(2) Facia Panel Left	(FPL)
(2) Facia Panel Right	(FPR)
(3) Ridge Cover Small	(RRS)
(80) Roof Plug w/Washer	(PPG)
(80) Roof Pin	(PIN)
(12) Sagging Support	(RS14A)

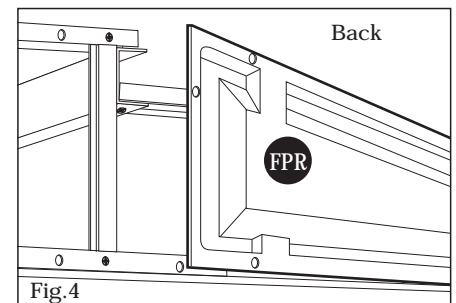
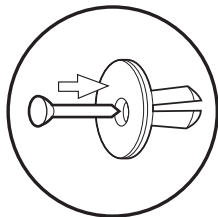
1. Place facia panel (FPR) to front roof structure right side.



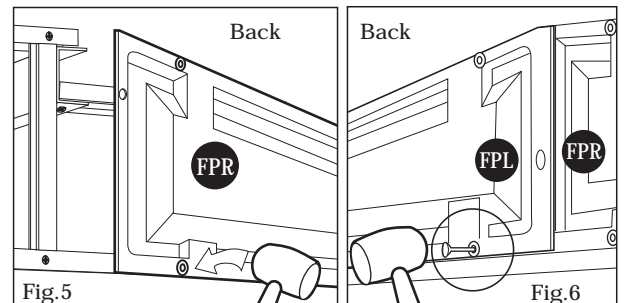
2. Line up the holes with roof structure and fix the roof plugs w/washers. Use a hammer (rubber mallet) to drive in roof pin. See fig. 1, 2 & 3 for details. Place facia panel left (FPL) to the front roof structure left side. Make sure (FPL) overlaps on (FPR). Repeat action to fix facia panels on backside. See Fig. 4, 5 & 6.



TIP First insert all roof plugs with washers to the panels (left & right) then drive in the roof pins.



3. Start attaching the roof panels from (FPL) corner side by sliding the roof panel (RP↑) to roof structure. Locate the hole positions of the roof panel and roof structure. Fix roof plugs with washers. Use a hammer to drive in roof pins. See figures 1 thru 6.



4. Attaching the ridge cover (RRS) on top of the roof panels (RP↑) start from the front side of the shed. See Fig.7 Fig.8 Fig.9

Note Use a screw driver to align the holes.



Insert roof plugs into roof panels only as indicated.

Note Do not insert Plugs at this point.

KEY
P Roof Plugs

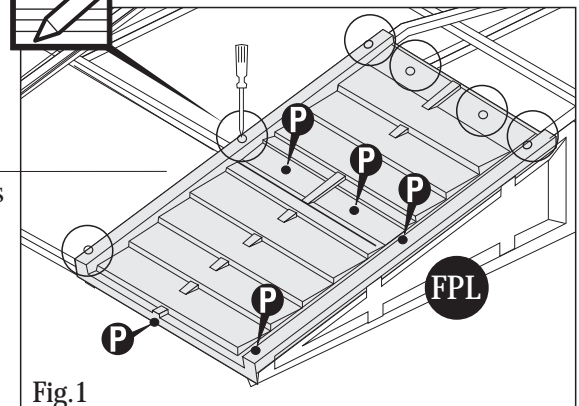
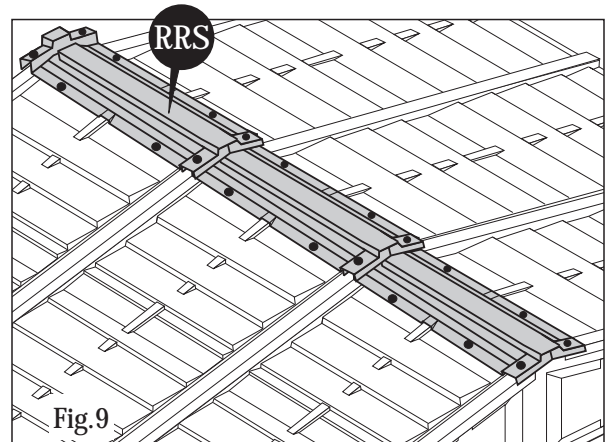
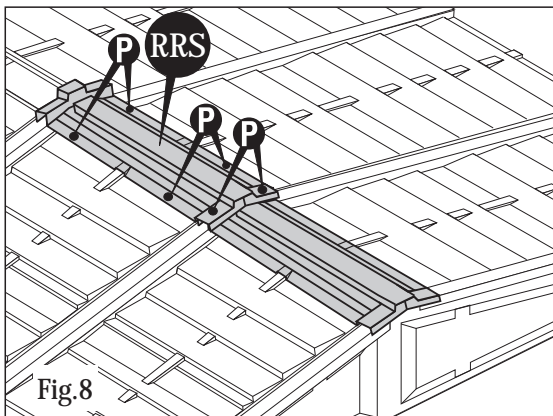
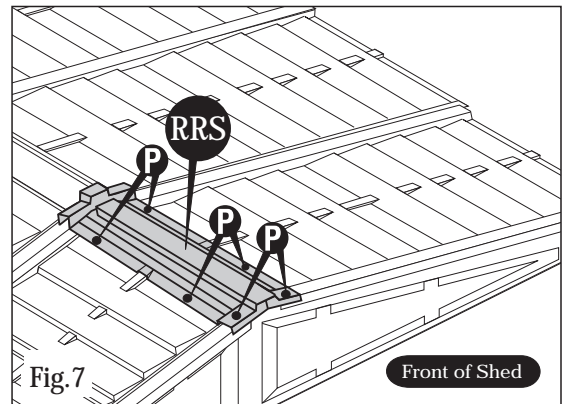
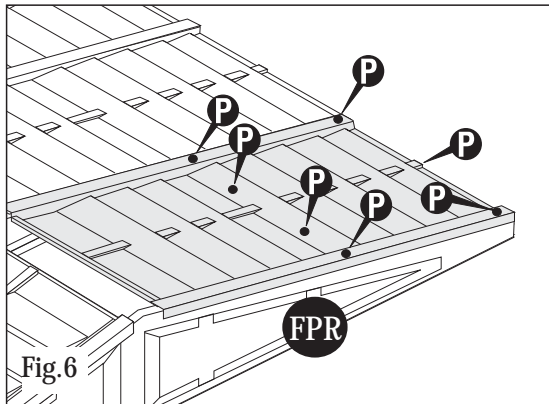
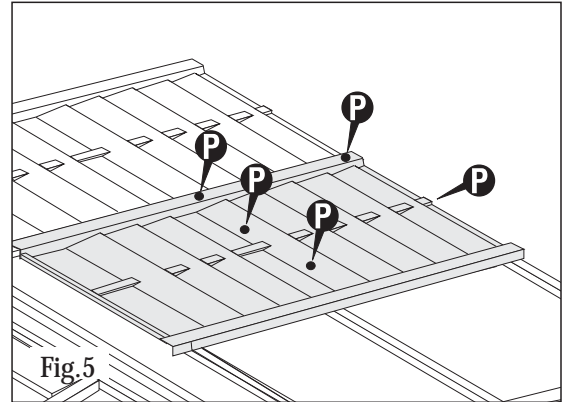
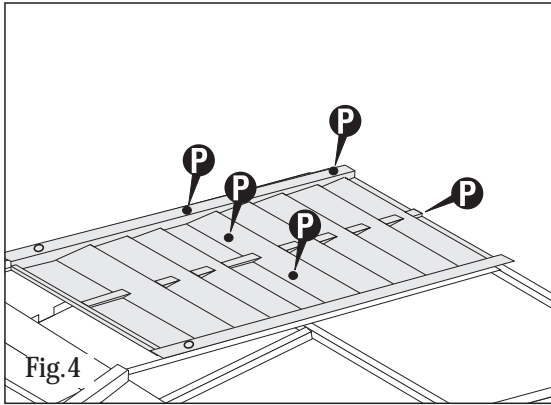
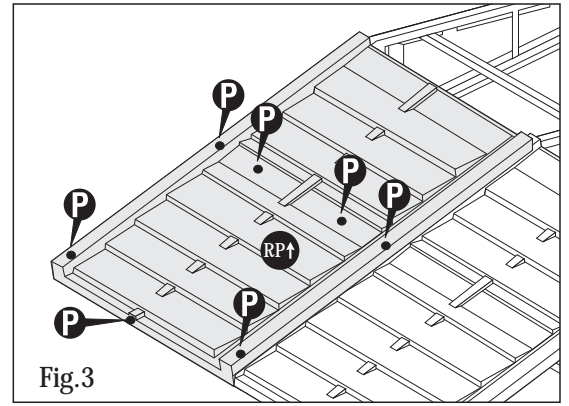
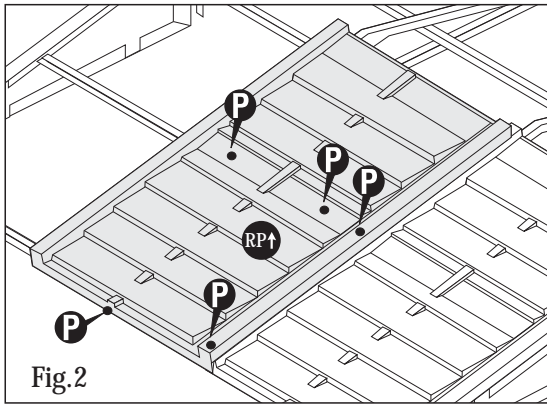


Fig.1



5. Insert the sagging support (RS14A) from inside the shed by sliding in between roof structure (RS5) and roof panel until it reaches (RS3) roof structure for each panel.
See fig.1

6. Insert the sagging support (RS14A) from inside the shed by sliding in between roof structure (RS5) and roof panel until it touches the other roof structure (RS5).
See fig.2

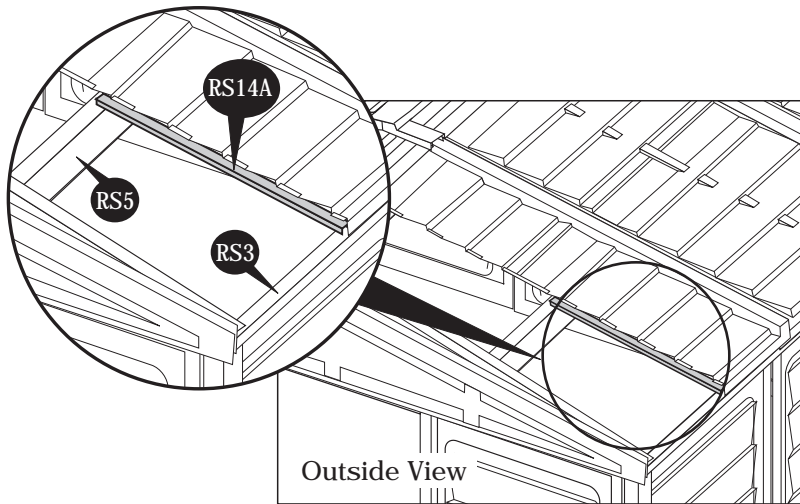


Fig. 1

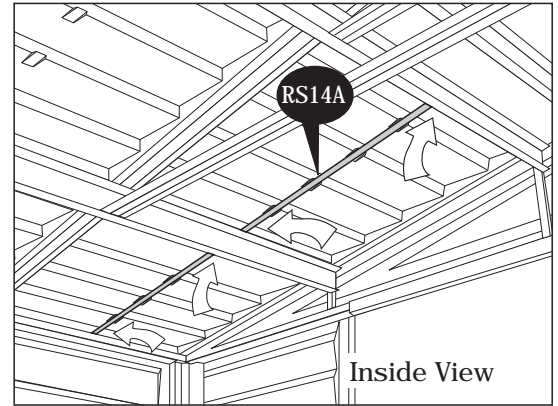


Fig. 2

E. Doors

Parts Needed:

- (1) Door Left
- (1) Door Right

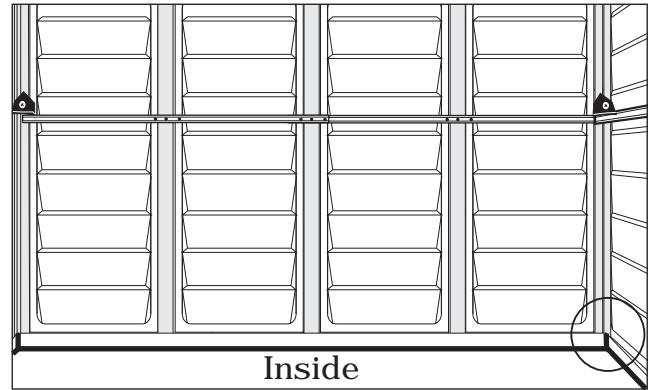
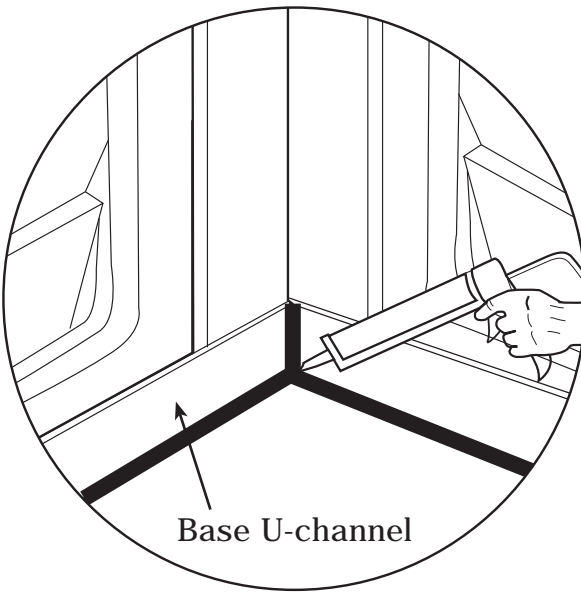
1. Attach the doors left and right (see fig.1) with Loose pin hinges on door columns (CDLA) and (CDRA).



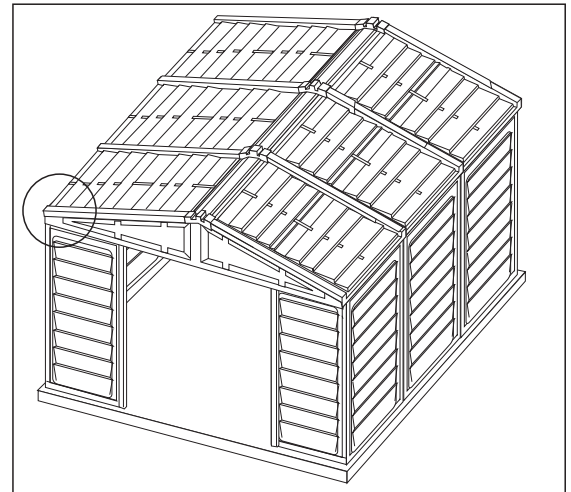
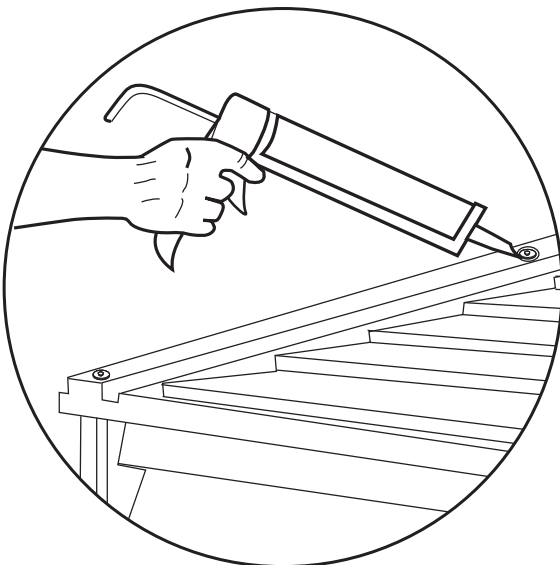
fig.1

Note: To prevent water leakage it is important that these instructions are followed.

1. After completing the assembly apply silicone around the perimeter of the base U-channel. Seal the corners, joints and base of door column also.



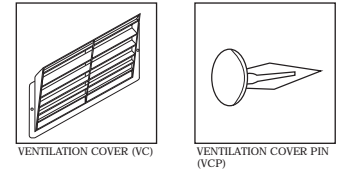
2. After completing the panel assembly, apply silicone around the roof plugs. This is optional and should be done for heavy rain areas if needed.



F. Optional Ventilation Kit

ACCESSORIES

CODE	DESCRIPTION	QTY
VC	VENTILATION COVER	2
VCP	VENTILATION COVER PIN	4



TOOLS YOU WILL NEED

Power Drill
 Dia 5/32" (4.2mm) drill bit
 Dia 1/2" (12.5mm) drill bit

Optional ventilation kits can be installed on any of the wall panels. However, we recommend mounting them on the top of the shed's back wall.

1. Place the ventilation cover (VC) as shown in fig.1. Using a pencil, mark the two side hole locations.

2. On the marked hole locations, drill out two holes using dia. 5/32" (4.2mm) drill bit as shown in fig.2. These holes will be used to attach the ventilation cover with the ventilation cover pins (VCP).

3. Use a dia. 1/2" (12.5mm) drill bit to drill out as many holes as desired behind the ventilation cover mounting area as in fig.3.

4. Attach the ventilation cover (VC) with the ventilation cover pin (VCP) as in fig.4.

5. Repeat the same to fix the second ventilation cover.

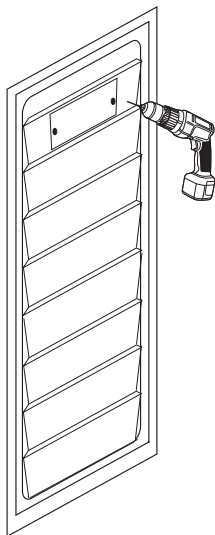
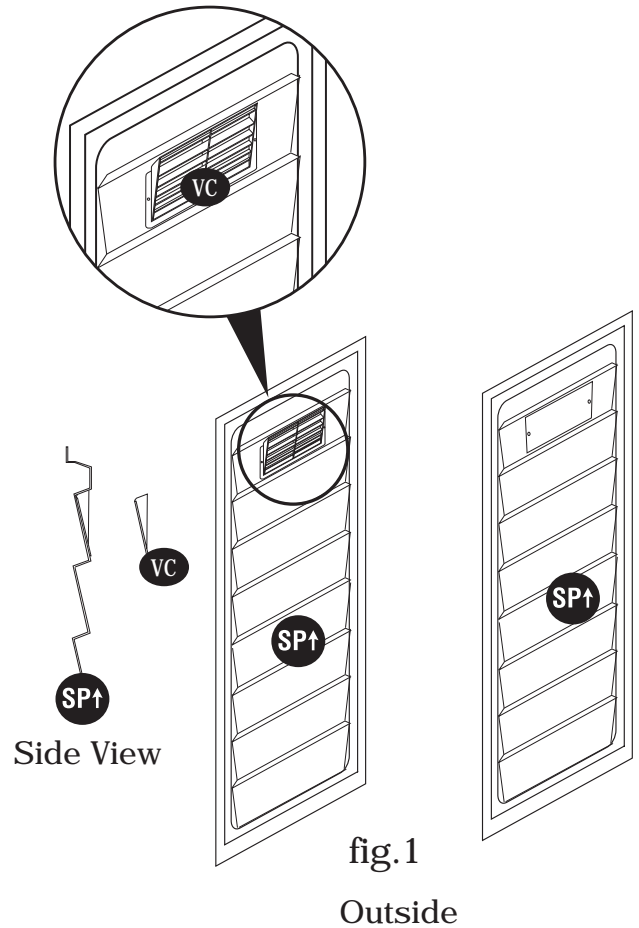


fig.2

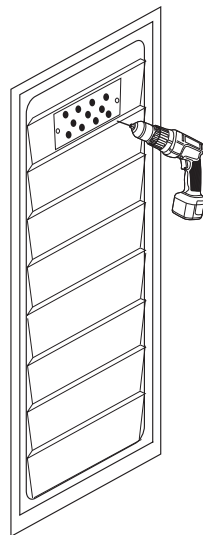


fig.3

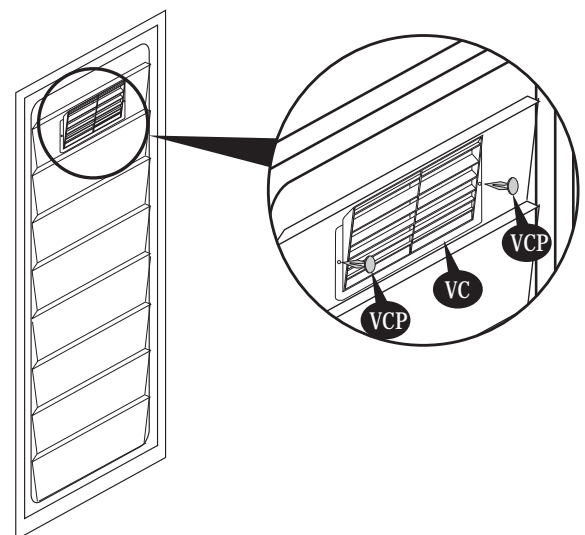


fig.4

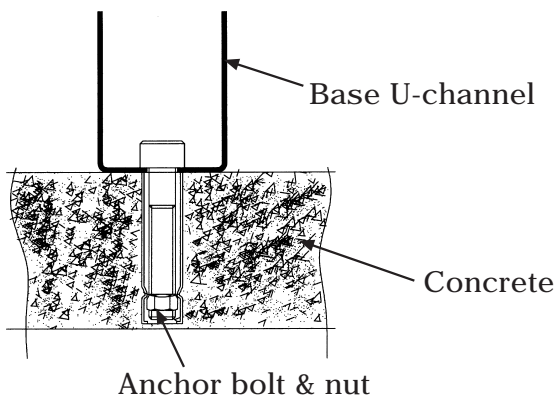
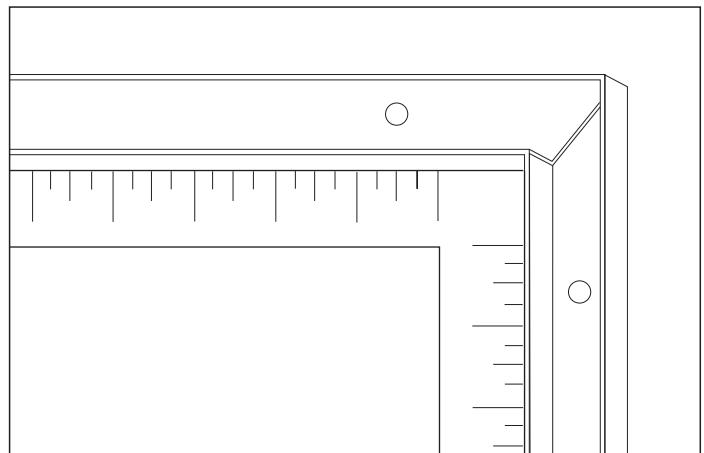
High wind area installation instructions

Note: To ensure that your shed withstands high winds, you will need the following reinforcement.

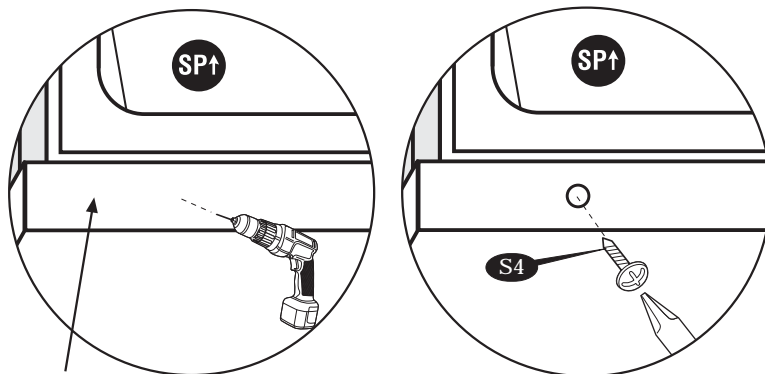
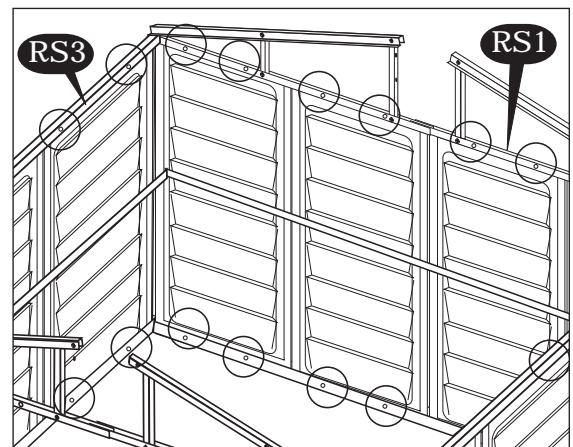
Parts needed:

CODE	DESCRIPTION	QTY
S4	DIA. 4.2 x 16mm. (5/32" x 5/8") SHEET METAL SCREW	48 (not included with shed)
S5	M6 x 40mm. (1/4" x 1 1/2") Anchor bolt with nut	32 (not included with shed)

1. Shed or shed foundation should be placed on concrete footing by use of anchor bolt and nut. Using a carpenter's square, line up corners. Align U-Channel base, mark the concrete through the holes in the base and drill concrete with 1/2" (dia. 12.5mm) concrete bit to accept anchor bolts to a 1 3/4" (44mm) depth. Replace base and secure with 1/4" x 1 1/2" (M6 x 40mm) anchor bolts. See fig.

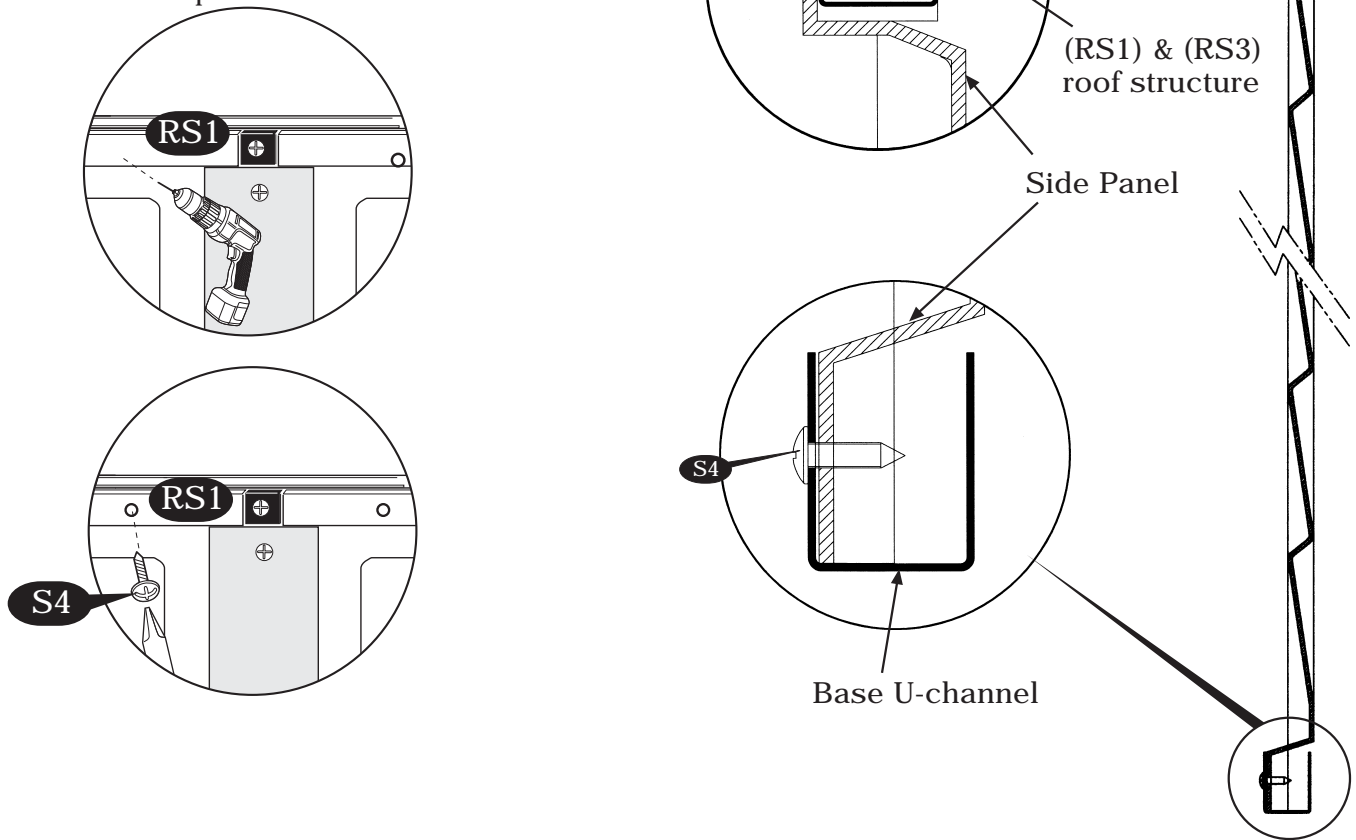


2. Attach each side panel (SP↑) on the bottom to the U-channel base. Using a dia. 3mm (1/8") drill with a power drill, make two equal distance holes on the U-channel base through the side panel. Drive a self tapping screw (S4) through the base U-channel to the side panel. Repeat this for every side panel. See blowup.



Base U-channel

3. Attach each side panel (SP↑) on top to the roof structure (RS1) and (RS3). Using a dia. 3mm (1/8") drill with a power drill, make two equal distance holes on the side panel through the roof structure. Drive a self tapping screw (S4) through the side panel to the roof structure. Repeat this for every side panel. See blowup.

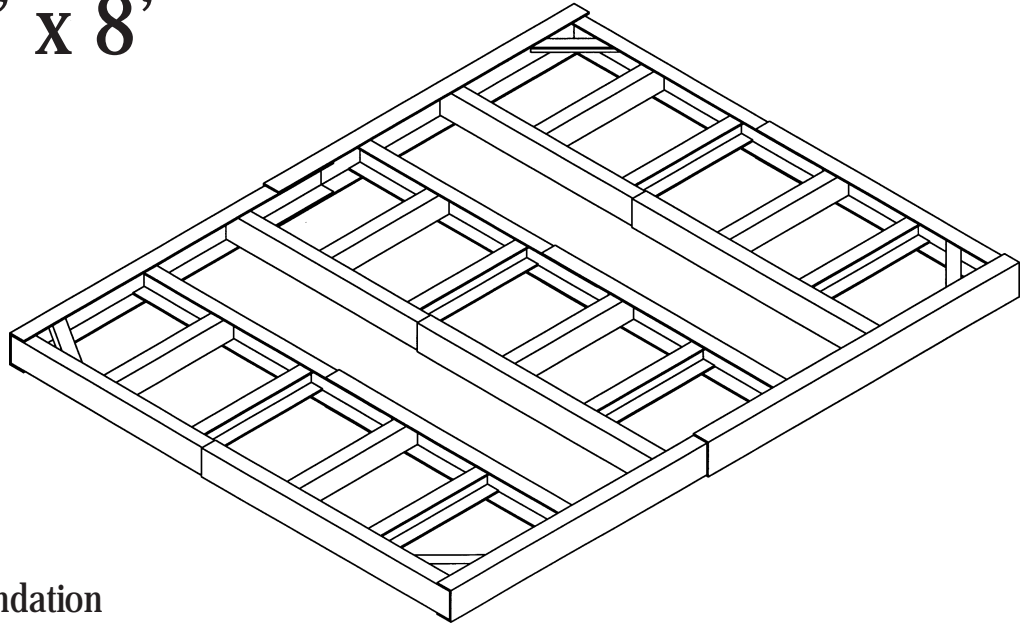


Important Warranty Information

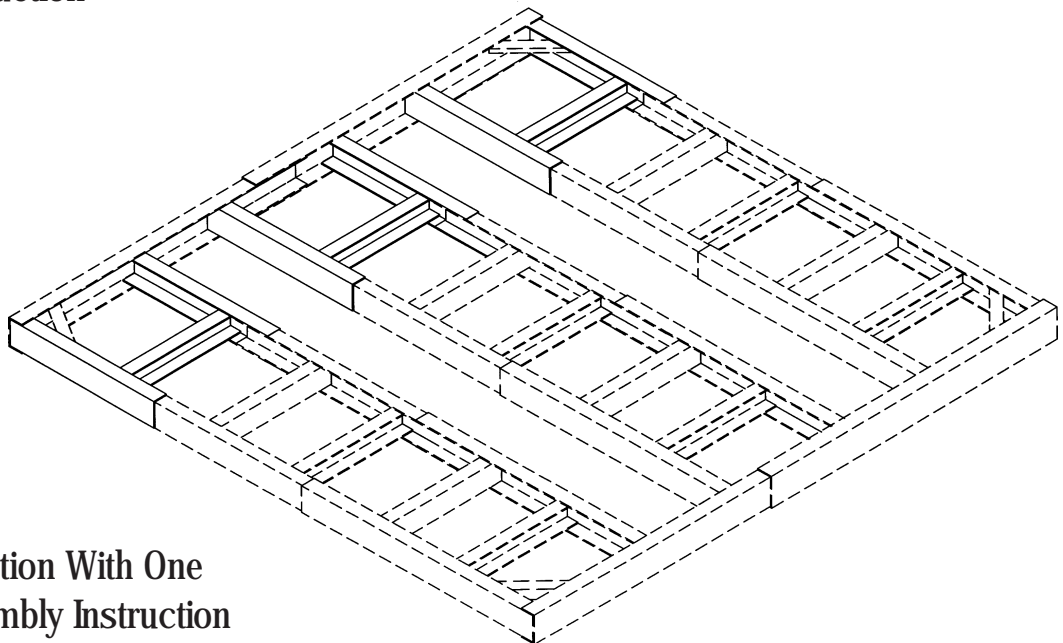
The Duramax shed has been tested and passed wind loads of up to 115 mph in a controlled laboratory environment. Natural high wind areas create wind at unpredictable speeds that are very difficult to capture accurately by location. As such we cannot guarantee the performance of the shed in these extreme situations.

Foundation Kit

Instructions for Assembly Size 10' x 8'



PART 1
10' x 8' Foundation
Assembly Instruction



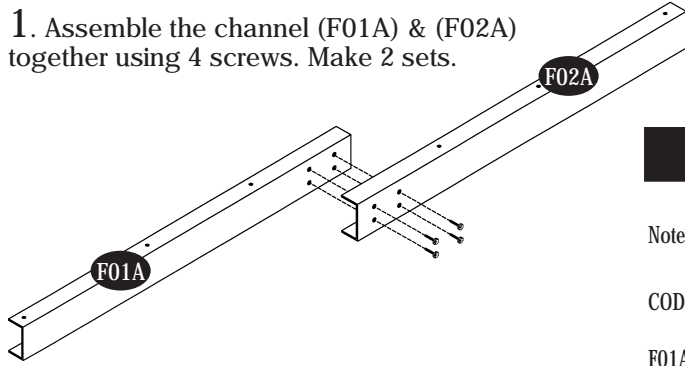
PART 2
10' x 8' Foundation With One
Extension Assembly Instruction

TOOLS YOU WILL NEED

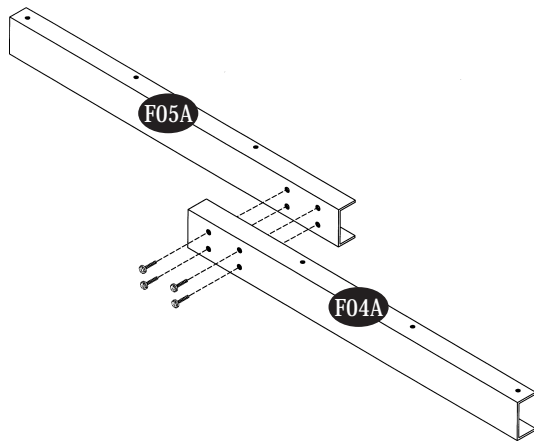
- Cordless Drill - Philips Head

PART 1 : 10' x 8' Foundation Assembly

1. Assemble the channel (F01A) & (F02A) together using 4 screws. Make 2 sets.



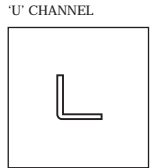
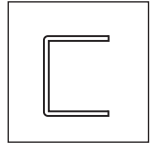
2. Assemble the channel (F05A) & (F04A) together using 4 screws. Make 6 sets.



Parts List

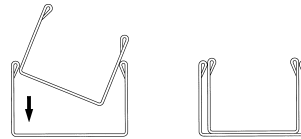
Note: Check all parts prior to installation.

CODE	DESCRIPTION	QTY
F01A	FOUNDATION 'U' CHANNEL	2
F02A	FOUNDATION 'U' CHANNEL	2
F03	FOUNDATION 'L' ANGLE	4
F04A	FOUNDATION 'U' CHANNEL	6
F05A	FOUNDATION 'U' CHANNEL	6
F06A	FOUNDATION 'U' CHANNEL	12

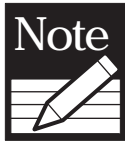


ACCESSORIES

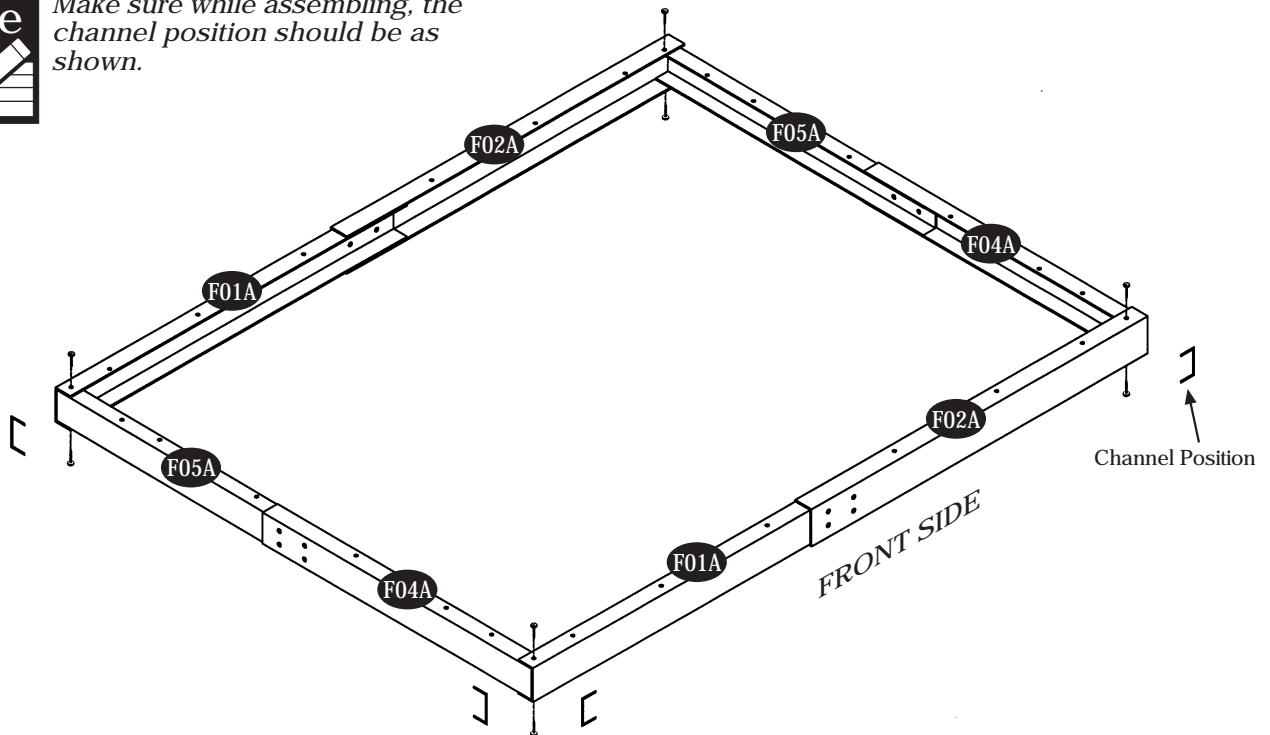
CODE	DESCRIPTION	QTY
S1	DIA. 4.2 x 16mm. (5/32" x 5/8") SHEET METAL SCREW	112



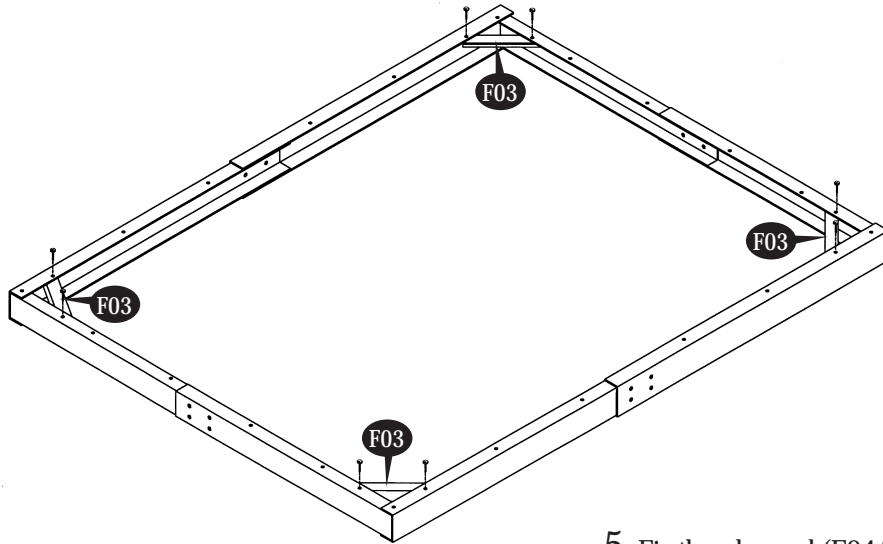
3. Make a frame with the sub assemblies as shown below.



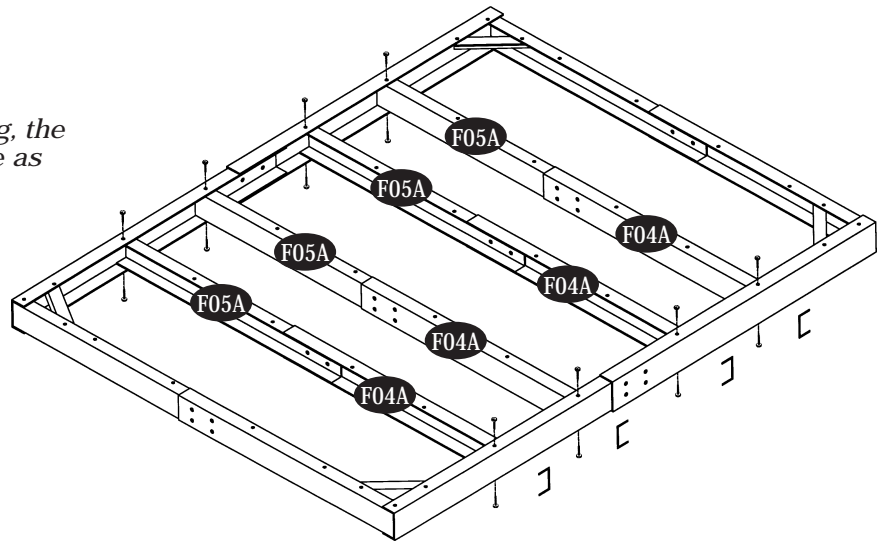
Note Make sure while assembling, the channel position should be as shown.



4. Fix the L-angle (F03) to the channel at all the four corners to make a perfect frame. See Fig.

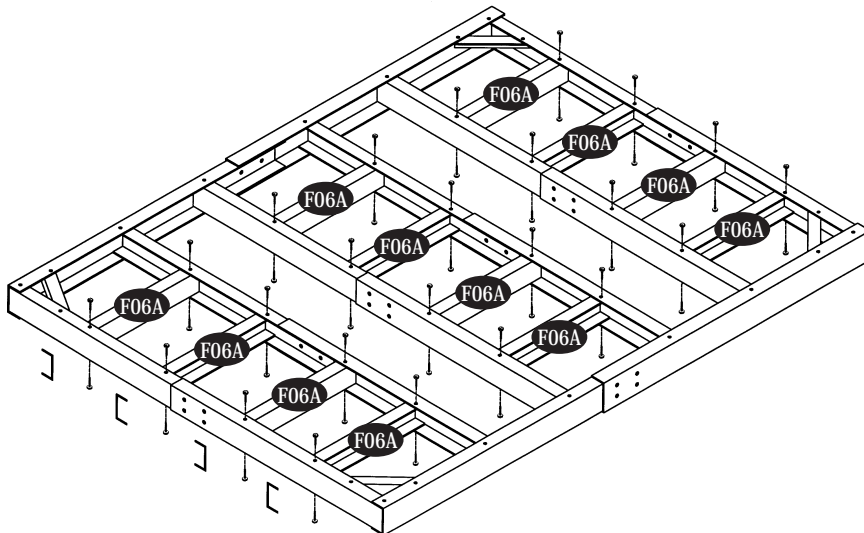


5. Fix the channel (F04A) & (F05A) sub assembly into the main frame as shown. See Fig.

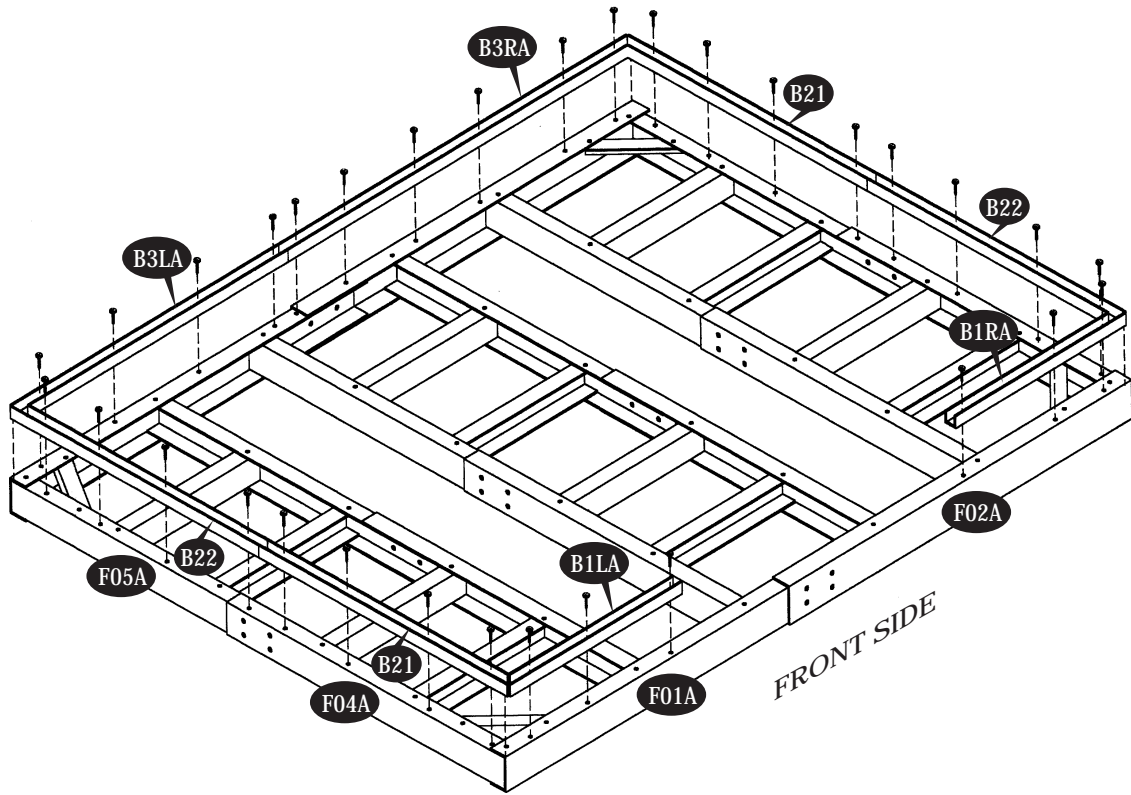


Note *Make sure while assembling, the channel position should be as shown.*

6. Fix the channel (F06A) into the frame with screws as shown. See Fig.

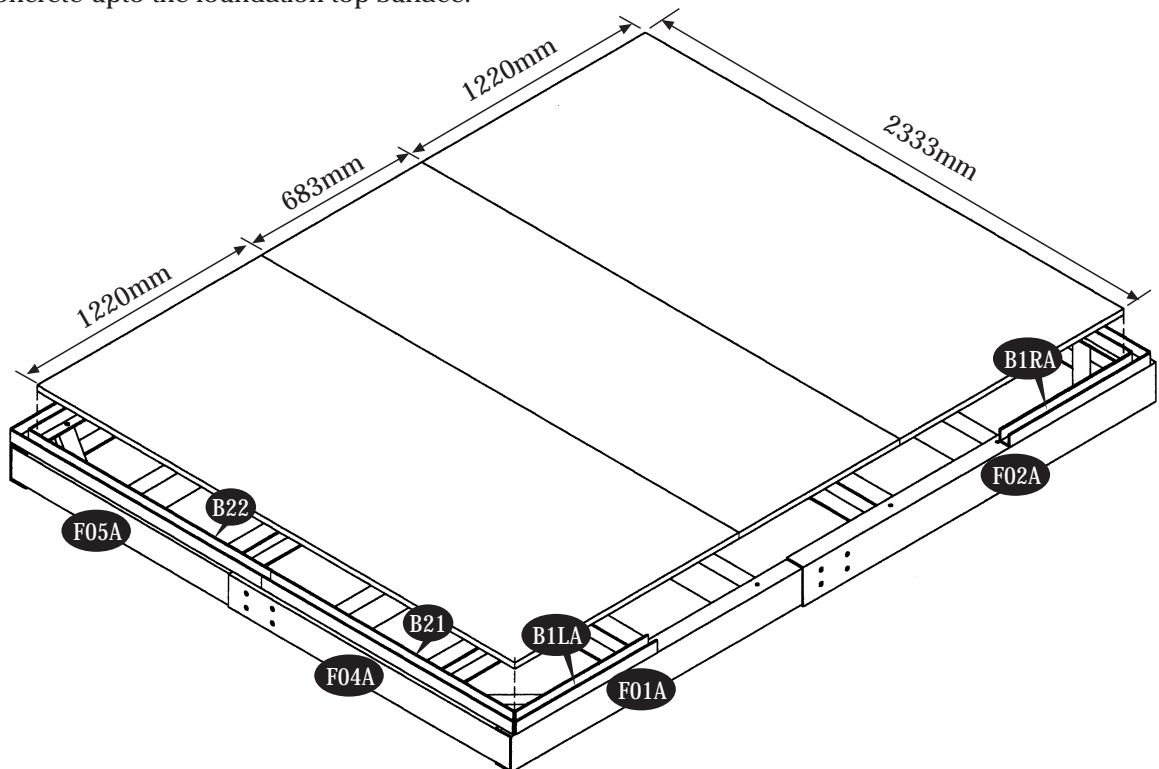


7. Assemble the U-Channel bases on top of the foundation as shown in Figure.



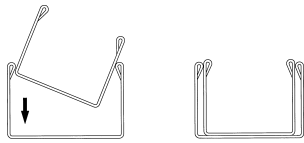
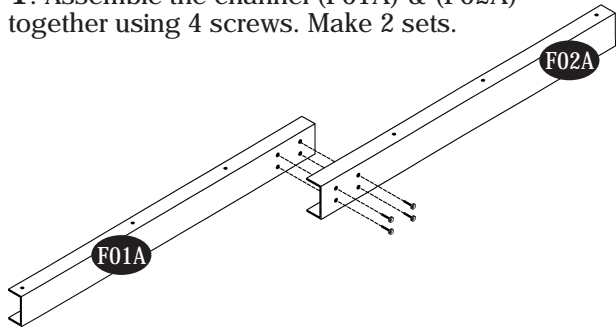
8a. After completing the assembly of shed place exterior grade CDX 3/4" (19mm) plywood inside the foundation. See fig.

OR 8b. After completing the assembly of the base U-channel fill the concrete upto the foundation top surface.



PART 2 : 10' x 8' Foundation With One Extension Assembly

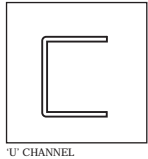
1. Assemble the channel (F01A) & (F02A) together using 4 screws. Make 2 sets.



Parts List

Note: Check all parts prior to installation.

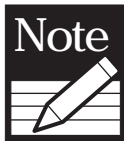
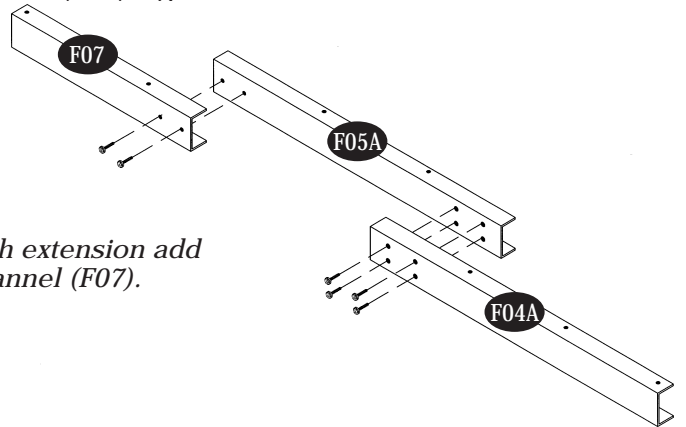
CODE	DESCRIPTION	QTY
F06A	FOUNDATION 'U' CHANNEL	3
F07	FOUNDATION 'U' CHANNEL	6



ACCESSORIES

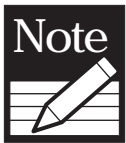
CODE	DESCRIPTION	QTY
S1	DIA. 4.2 x 16mm. (5/32" x 5/8") SHEET METAL SCREW	24

2. Assemble the channel (F05A), (F04A) & Extension (F07) together with screws. Make 6 sets.

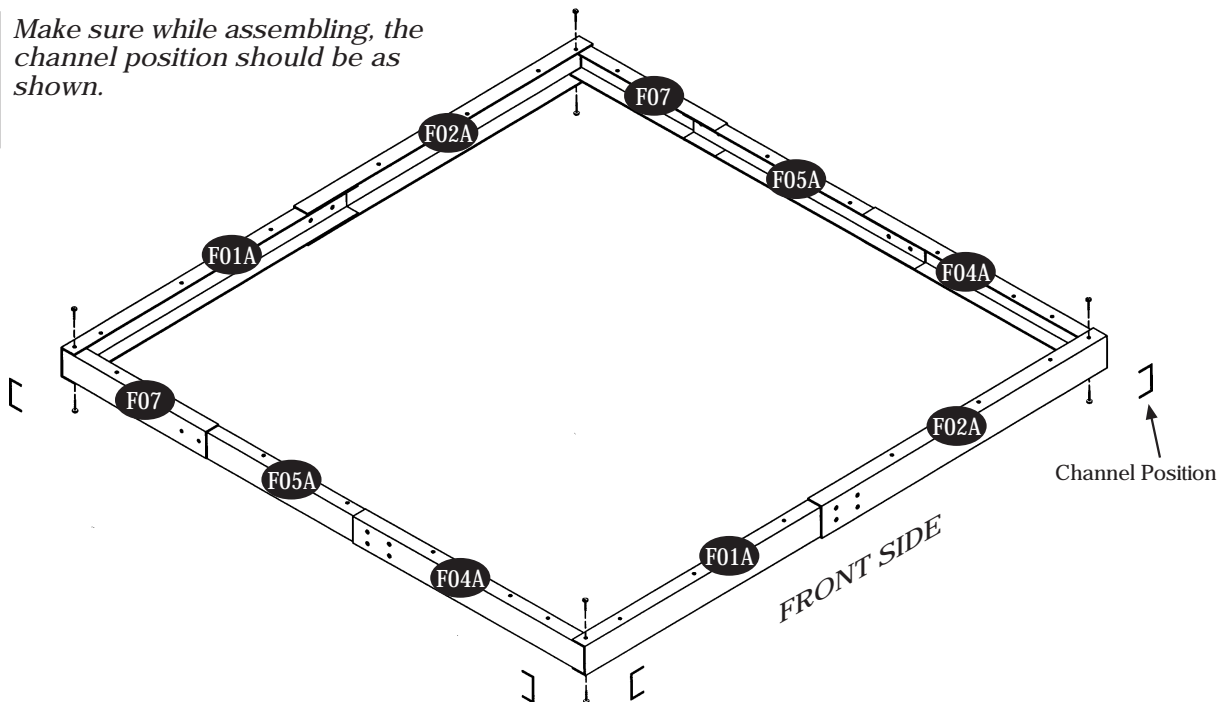


For each extension add one channel (F07).

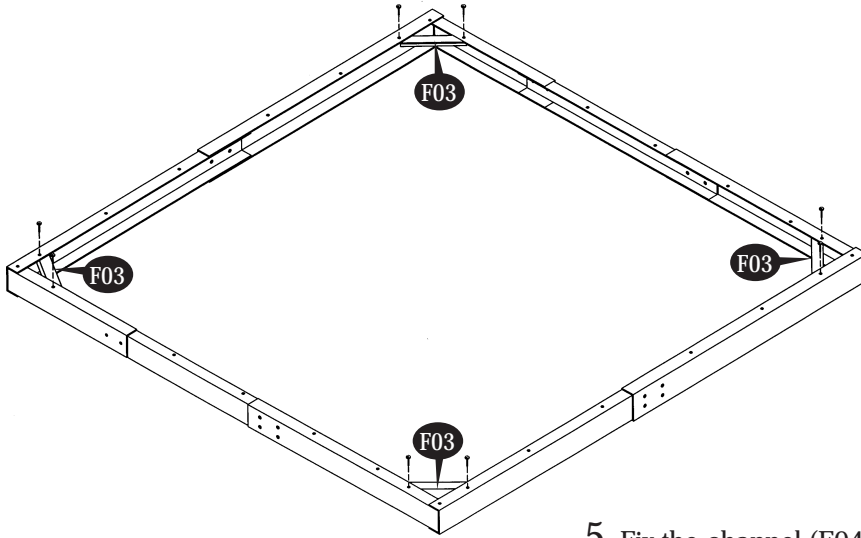
3. Make a frame with the sub assemblies as shown below.



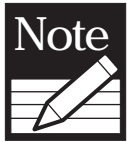
Make sure while assembling, the channel position should be as shown.



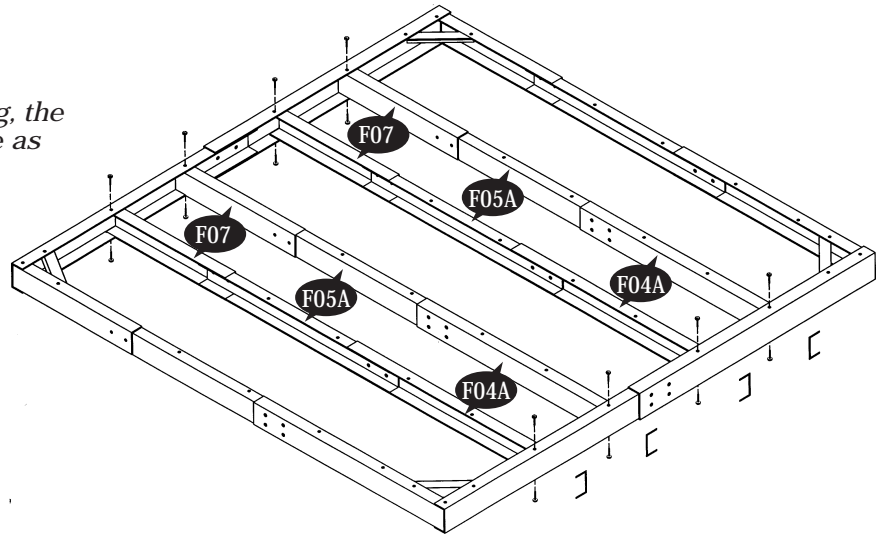
4. Fix the L-angle (F03) to the channel at all the four corners to make a perfect frame. See Fig.



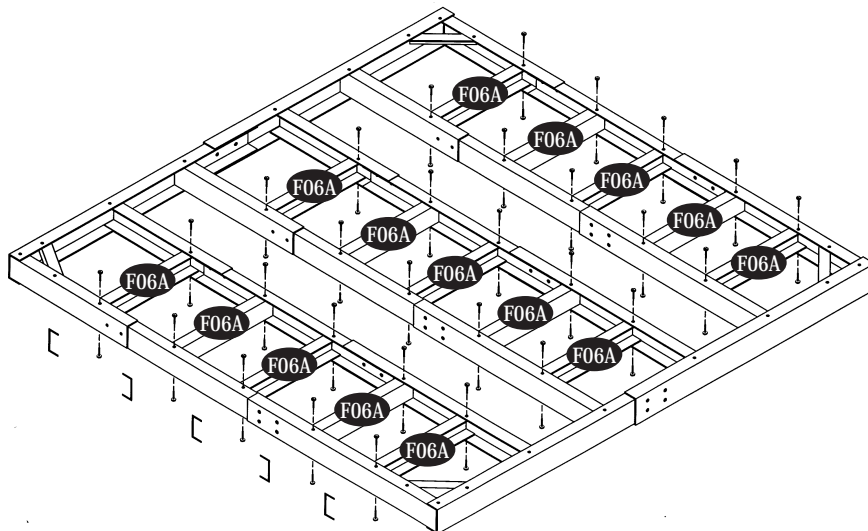
5. Fix the channel (F04A), (F05A) & (F07) sub assembly into the main frame as shown. See Fig.



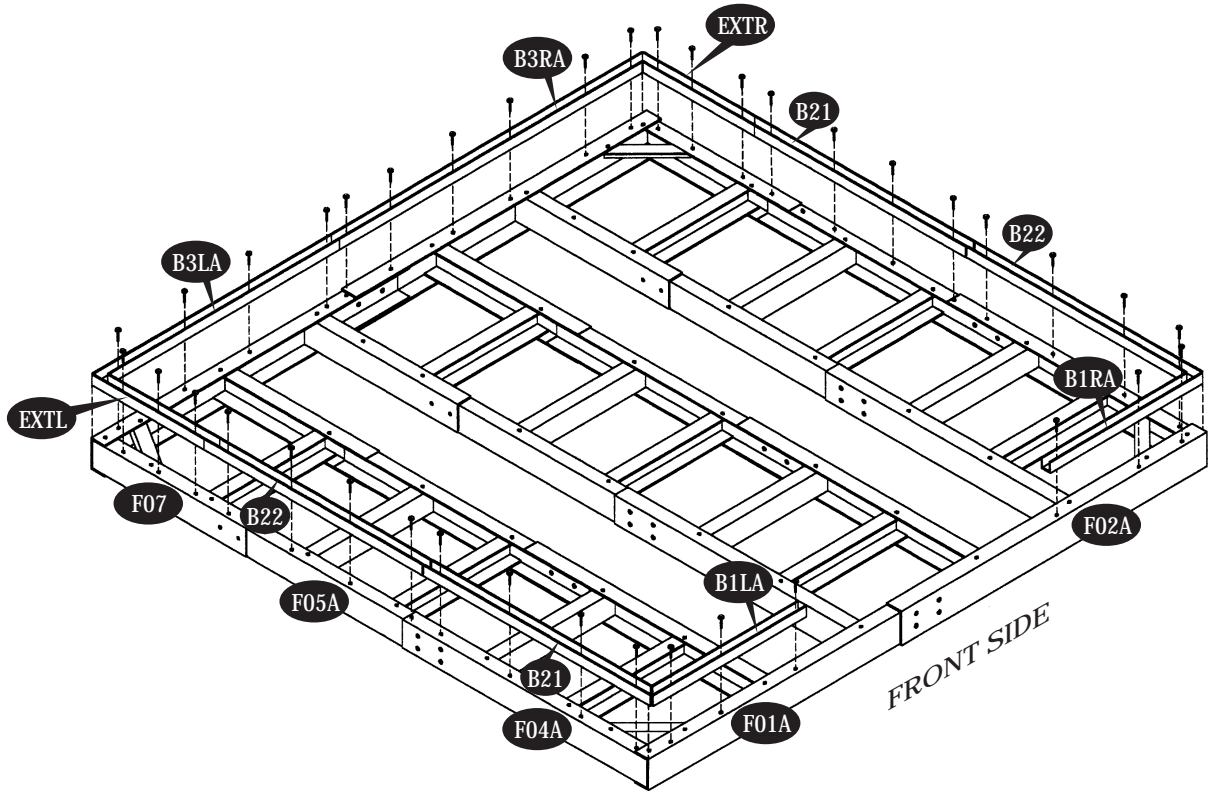
Make sure while assembling, the channel position should be as shown.



6. Fix the channel (F06A) into the frame with screws as shown. See Fig.



7. Assemble the U-Channel bases on top of the foundation as shown in Figure.



8a. After completing the assembly of shed place exterior grade CDX 3/4" (19mm) plywood inside the foundation. See fig.

OR 8b. After completing the assembly of the base U-channel fill the concrete upto the foundation top surface.

